



Filter, Bars Wall Panels

Premier Collection

Filter, Bars offers creative freedom without the complexity of custom design. With no fixed rhythm, spacing rules, or required sequence, Bars can be arranged in any layout to suit your space and style. Crafted from sound absorbing felt in a wide range of Premier colors, Filter allows you to create a unique visual composition while effectively managing noise. The result is a custom look—without the custom process—bringing both design flexibility and acoustic comfort to any environment.

Specifications

Surface	Wall
Material	FilaSorb™ polyester felt
Weight	0.49 lb./ft ² (±10%)
Standard Sizes	Width: 2, 4, 6, 8" W Depth: 3" D Height: 48, 96, 108" H



Filter, Bars Wall Panels in Pearl, Pistachio and Valentine

Technical

NRC Rating	up to 0.45*
Fire Test	ASTM E84, Class A CAN/ULC-S102 Flame spread index: 15 Smoke developed index: 200
Water Sorption	ASTM C1104-2019 (A Modified) Water sorbed by weight: 0.20% (based on a 12mm thick panel)
Colorfastness	ISO 105-B02, 6-7

* Test results available upon request

Details

Lead Time	3 - 6 weeks
Origin	Manufactured and assembled in the US
Warranty	Product: 20 years* Colorfastness: 20 years*

* Conditions apply

Environmental

Recycled Content	Minimum 60%
Energy	Generated using 40% solar energy
Indoor Air Quality	VOC less than/equal to 0.5mg/m3
Recyclable	100%*
Certifications	Declare Certification - LBC Red List Free (third-party verified) SCS Global Indoor Advantage Gold

* PET is recyclable through participating partners



For questions or additional product information, visit [acoufelt.com](https://www.acoufelt.com) or call 800.966.8557.

Filter, Bars Wall Panels | March 2026

Colorways

PREMIER



White
WH12



Milkyway
MI74



Ivory
IV11



Pearl
PE21



Valentine
VA70



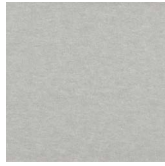
Quartz
QU67



Stonewash
ST72



Sea Salt
SE57



Platinum
PL04



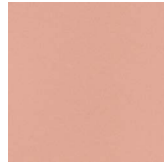
Almond
AL55



Pistachio
PI25



Turmeric
TU60



Flamingo
FL61



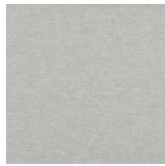
Amethyst
AM69



Periwinkle
PE23



Peacock
PE20



Metal
ME03



Mushroom
MU75



Celery
CE65



Wheat
WH68



Peach
PE19



Lilac
LI13



Marine
MA15



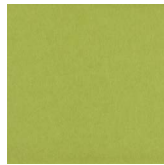
Sencha
SE58



Grey
GR02



Umber
UM54



Wasabi
WA29



Popcorn
PO26



Currant
CU59



Berry
BE06



Azure
AZ05



Oregano
OR18



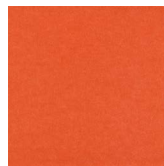
Charcoal
CH01



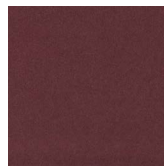
Walnut
WA56



Eucalyptus
EU71



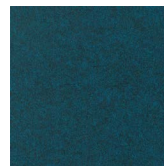
Carrot
CA08



Loganberry
LO77



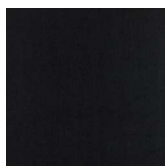
Granite
GR62



Denim
DE09



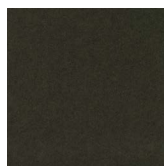
Kale
KA12



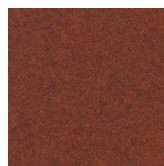
Piano Black
PI24



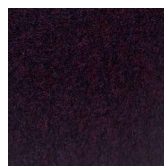
Slate
SL27



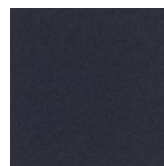
Nori
NO76



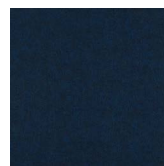
Peppercorn
PE22



Shiraz
SH63



Flint
FL64



Midnight
MI16

Order samples at acoufelt.com/colorways



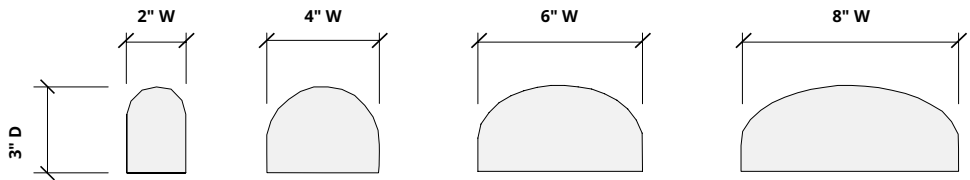
For questions or additional product information,
visit acoufelt.com or call 800.966.8557.

Filter, Bars Wall Panels | March 2026

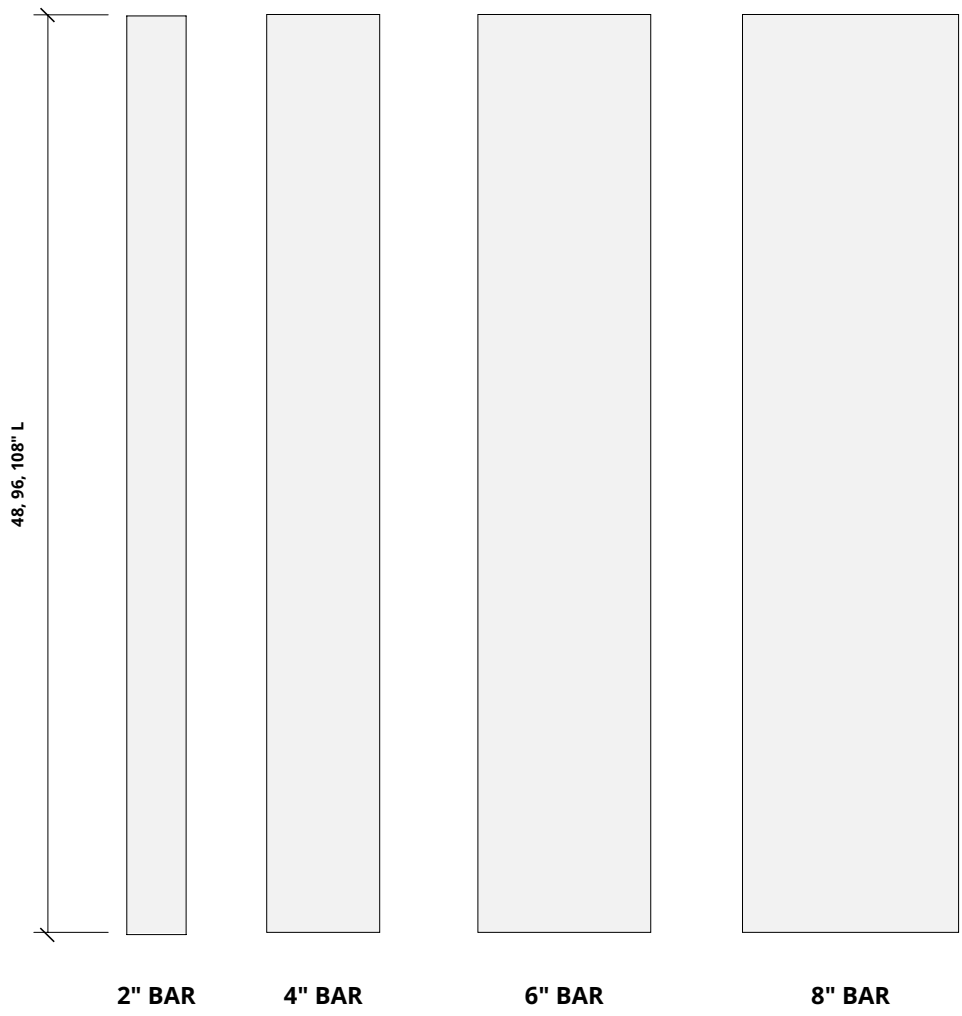
Sizes

Width	2, 4, 6, 8" W
Depth	3" D
Length	48, 96, 108" L

Plan



Elevation



How to Specify

1. Choose Sizes

2. Choose Colorways

Select desired bar width and height. Bar widths can be mixed for desired effect.

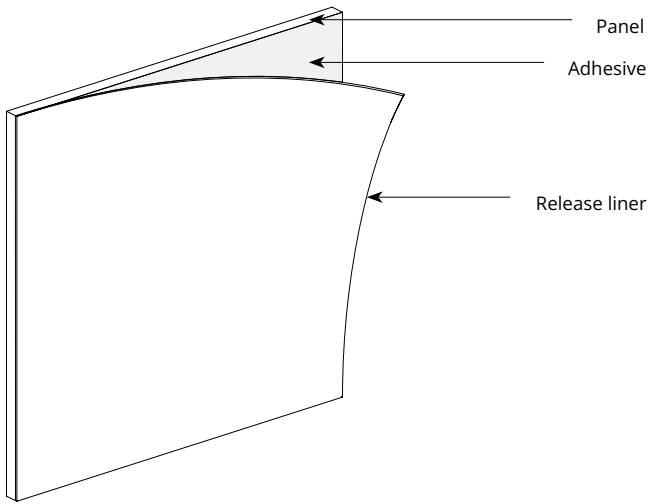
1. Choose Sizes

2. Choose Colorways

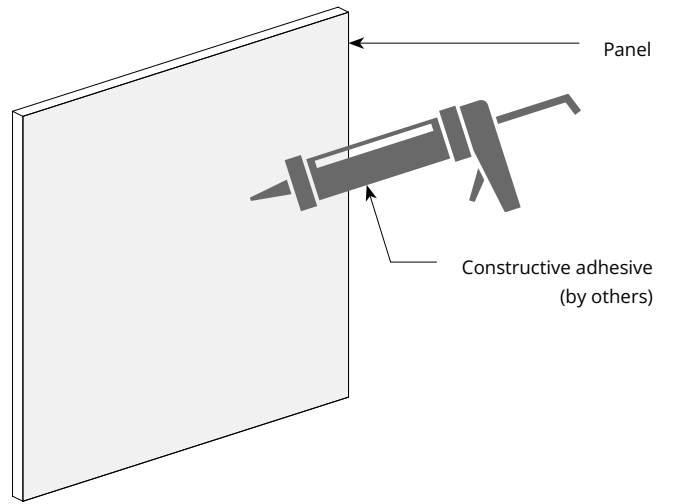
See colorways on page 3.

Mounting Methods

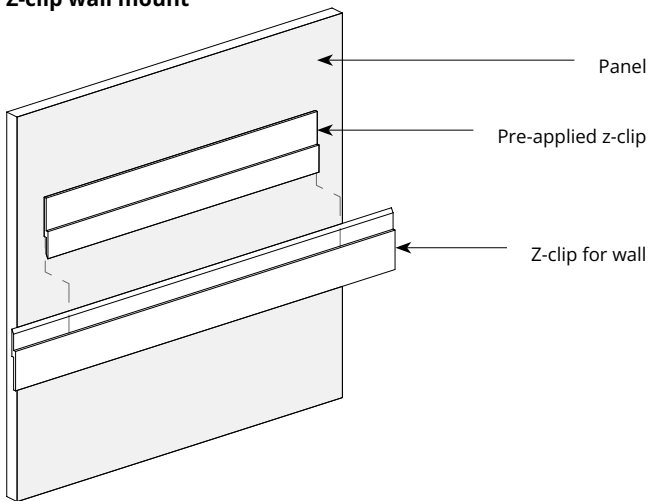
Adhesive backing



Construction adhesive



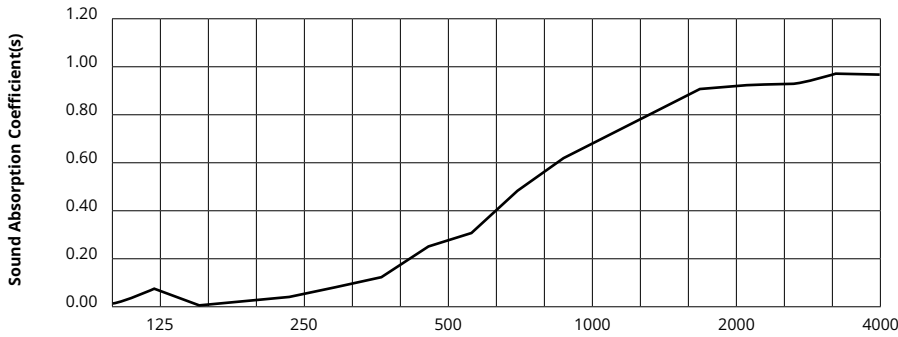
Z-clip wall mount



** For wall mount applications only.*

Acoustic Performance

Test Method	ASTM C423-09a
Install Method	A
Rating Method	AS ISO 11654-2002
Test Results	NRC 0.45, no air gap SAA 0.43, no air gap




Frequency f (Hz)	125	250	500	1000	2000	4000	NRC
12mm	0.06	0.02	0.23	0.61	0.89	0.95	0.45

What is a Noise Reduction Coefficient (NRC)?

You'll find the NRC rating in the specifications of all of our products. This acronym stands for Noise Reduction Coefficient, and is expressed as a single number, a rating that describes the degree to which acoustic products can absorb sound.

You can use NRC values to understand the overall performance of our acoustic wall and ceiling products. The higher the NRC, the better the product is at soaking up the sound.

Performance Indices: Noise Reduction Coefficient (NRC) results represent the absorption coefficients measured at the one third octave bands at 125, 250, 500, 1000, 2000 and 4000 Hz rounded to the nearest 0.05. Acoustic testing has been performed according to the methods mentioned above. Customization of installation of the product could alter the results. Sound Absorption Average (SAA) indicates the absorption coefficient average for the twelve one-third octave bands ranging between 200 and 2500 Hz.

 For questions or additional product information, visit [acoufelt.com](https://www.acoufelt.com) or call **800.966.8557**.

Filter, Bars Wall Panels | March 2026