



## Solid Wall Panels

Premier Collection

Transform bustling meeting areas into oases of tranquility. Elevate performance spaces to new heights of clarity and precision. With our acoustic wall panels, silence becomes an art form, and every space becomes a sanctuary of sound.

Our panels provide customizable solutions to suit every acoustic challenge. Hang a select few to target trouble spots or blanket your walls for comprehensive sound control – the choice is yours.

## Specifications

|                       |   |
|-----------------------|---|
| <b>Surface</b>        | Wall  |
| <b>Material</b>       | FilaSorb™ polyester felt  |
| <b>Weight</b>         | 2mm, 0.082 lb./ft <sup>2</sup> (±10%)<br>7mm, 0.29 lb./ft <sup>2</sup> (±10%)<br>9mm, 0.37 lb./ft <sup>2</sup> (±10%)<br>12mm, 0.49 lb./ft <sup>2</sup> (±10%)<br>24mm, 0.98 lb./ft <sup>2</sup> (±10%)<br>25mm, 0.80 lb./ft <sup>2</sup> (±10%)<br>50mm, 0.92 lb./ft <sup>2</sup> (±10%) |
| <b>Standard Sizes</b> | 12" up to 48" W (6" increments)<br>12" up to 108" H (6" increments), 110" H   |



Solid Wall Panel in Quartz

## Technical

|                      |  |
|----------------------|--|
| <b>NRC Rating</b>    | 2mm: Testing in progress<br>7mm: 0.25*<br>9mm: 0.30*<br>12mm: 0.45*<br>24mm: 0.60*<br>25mm: 0.75*<br>50mm: 0.75* |
| <b>Fire Test</b>     | ASTM E84, Class A<br>CAN/ULC-S102<br>Flame spread index: 15<br>Smoke developed index: 200                        |
| <b>Colorfastness</b> | ISO 105-B02, 6-7   |

\* Test results available upon request

## Details

|                  |  |
|------------------|--|
| <b>Lead Time</b> | 3 - 6 weeks                                    |
| <b>Origin</b>    | Manufactured and assembled in the US           |
| <b>Warranty</b>  | Product: 20 years*<br>Colorfastness: 20 years* |

\* Conditions apply

## Environmental

|                           |  |
|---------------------------|--|
| <b>Recycled Content</b>   | Minimum 60%  |
| <b>Energy</b>             | Generated using 40% solar energy   |
| <b>Indoor Air Quality</b> | VOC less than/equal to 0.5mg/m <sup>3</sup>  |
| <b>Recyclable</b>         | 100%*  |
| <b>Certifications</b>     | Environmental Product Declaration<br>Declare Certification - LBC Red List Free<br>(third-party verified)<br>SCS Global Indoor Advantage Gold |

\* PET is recyclable through participating partners



For questions or additional product information, visit [acoufelt.com](https://www.acoufelt.com) or call 800.966.8557.

Solid Wall Panels | January 2026

# Colorways

PREMIER: 2, 12, 24mm



White  
WH12



Milkyway  
MI74



Ivory  
IV11



Pearl  
PE21



Valentine  
VA70



Quartz  
QU67



Stonewash  
ST72



Sea Salt  
SE57



Platinum  
PL04



Almond  
AL55



Pistachio  
PI25



Turmeric  
TU60



Flamingo  
FL61



Amethyst  
AM69



Periwinkle  
PE23



Peacock  
PE20



Metal  
ME03



Mushroom  
MU75



Celery  
CE65



Wheat  
WH68



Peach  
PE19



Lilac  
LI13



Marine  
MA15



Sencha  
SE58



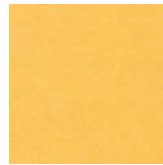
Grey  
GR02



Umber  
UM54



Wasabi  
WA29



Popcorn  
PO26



Currant  
CU59



Berry  
BE06



Azure  
AZ05



Oregano  
OR18



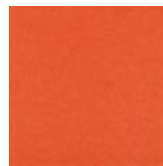
Charcoal  
CH01



Walnut  
WA56



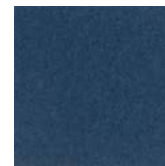
Eucalyptus  
EU71



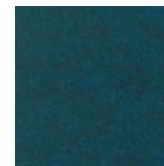
Carrot  
CA08



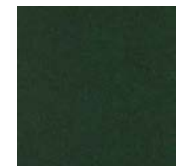
Loganberry  
LO77



Granite  
GR62



Denim  
DE09



Kale  
KA12



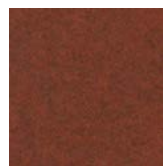
Piano Black  
PI24



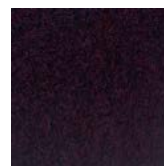
Slate  
SL27



Nori  
NO76



Peppercorn  
PE22



Shiraz  
SH63




Flint  
FL64



Midnight  
MI16

Order samples at [acoufelt.com/colorways](https://acoufelt.com/colorways)

 For questions or additional product information, visit [acoufelt.com](https://acoufelt.com) or call 800.966.8557.

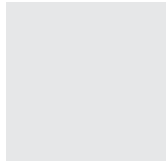
Solid Wall Panels | January 2026

# Colorways

## PREMIER: 7, 9mm



**Metal**  
ME03



**Platinum**  
PL04



**Grey**  
GR02

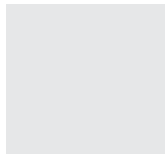


**Charcoal**  
CH01

## PREMIER: 25, 50mm



**White**  
WH12



**Platinum**  
PL04



**Piano Black**  
PI24

Order samples at [acoufelt.com/colorways](https://www.acoufelt.com/colorways)



For questions or additional product information,  
visit [acoufelt.com](https://www.acoufelt.com) or call **800.966.8557**.

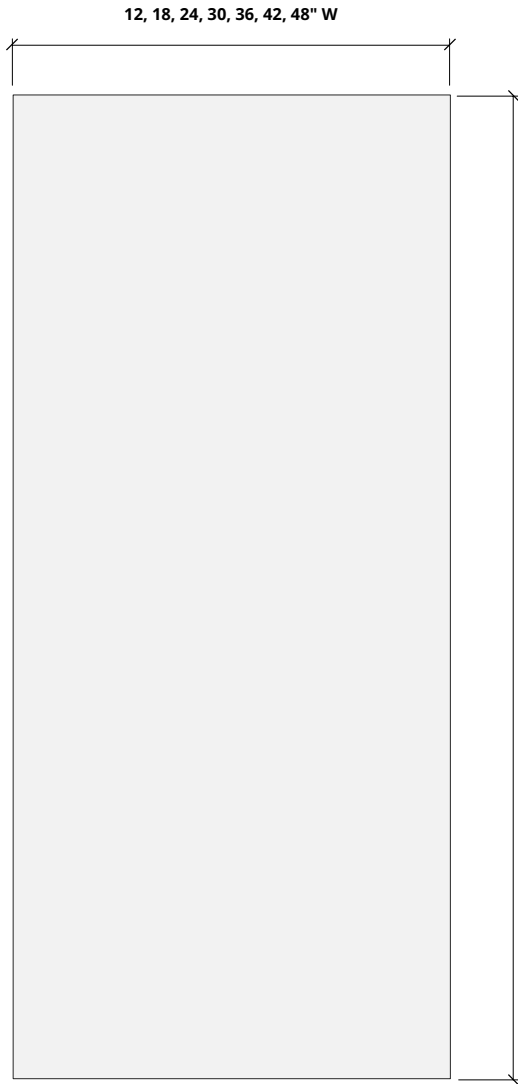
**Solid Wall Panels** | January 2026

# Sizes

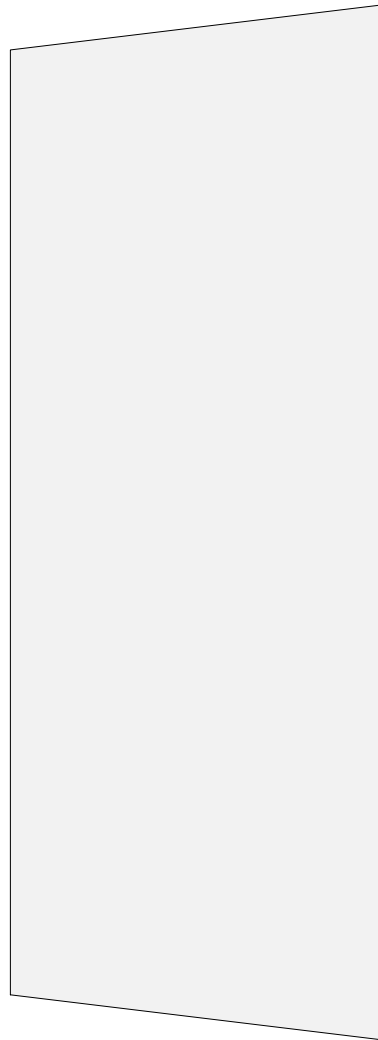
**Standard Sizes** 12" up to 48" W (6" increments)  
12" - 108" H (6" increments), 110" H

---

**Plan**



**Perspective**



# How to Specify

**1. Choose Panel Weight**

2. Choose Panel Size

3. Choose Colorway

Determine preferred weight based on acoustical needs

---

1. Choose Panel Weight

**2. Choose Panel Size**

3. Choose Colorway

Determine preferred width and height.

---

1. Choose Panel Weight

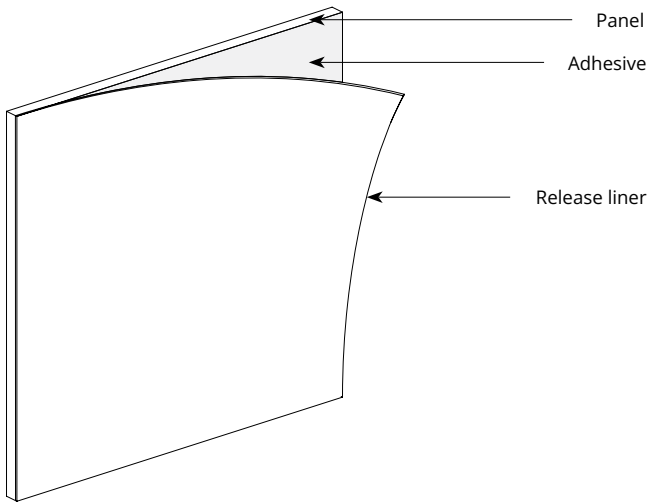
2. Choose Panel Size

**3. Choose Colorway**

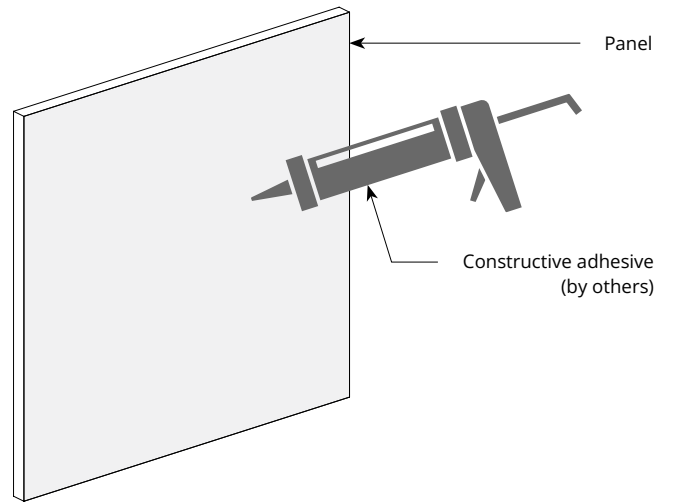
Select a color for the backer panel and one or multiple colors for block or seams. See colorways on pages 3 and 4.

# Mounting Methods

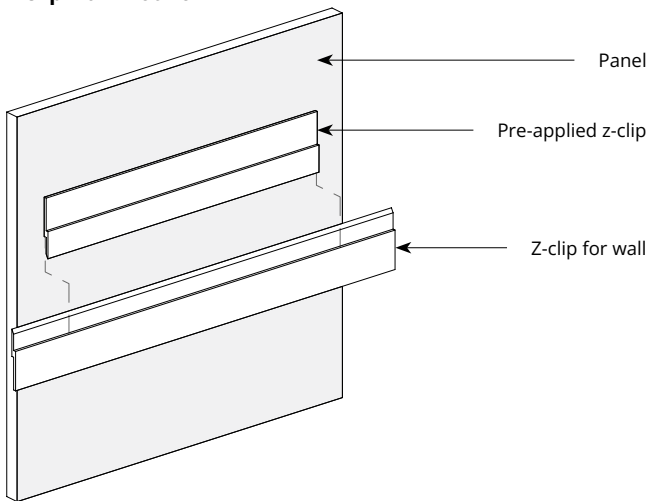
## Adhesive backing



## Construction adhesive



## Z-clip wall mount



*\*For wall mount applications only.*

# Acoustic Performance

**Test Method**      **7, 9, 24, 25mm**

ASTM E795-16

**12mm**

ASTM C423-09a

**Install Method**      A

**Rating Method**      ISO 11654-2002

**Test Results**      2mm: Product acoustic testing in progress

7mm: 0.25, no air gap

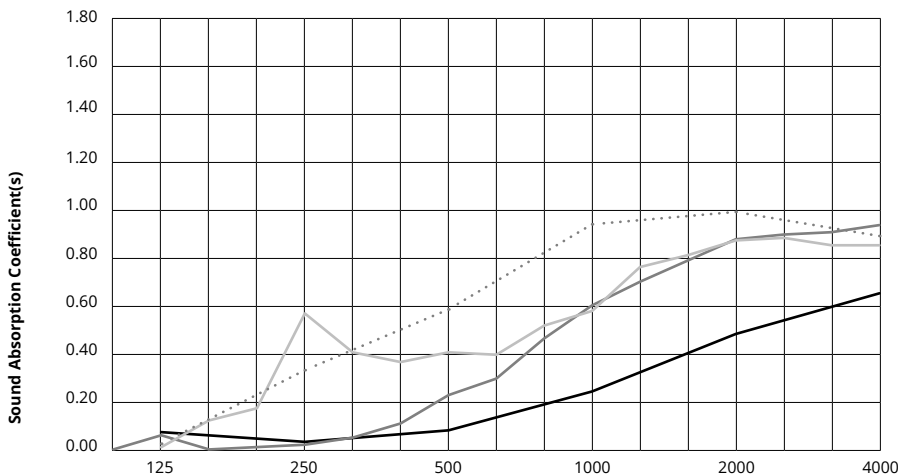
9mm: 0.30, no air gap

12mm: 0.45, no air gap

24mm: 0.60, no air gap

25mm: 0.75, no air gap

50mm: 0.75, no air gap




|       | Frequency f (Hz) | 125                                  | 250  | 500  | 1000 | 2000 | 4000 | NRC  |
|-------|------------------|--------------------------------------|------|------|------|------|------|------|
|       | 2mm              | Product acoustic testing in progress |      |      |      |      |      | NA   |
|       | 7mm              | 0.06                                 | 0.02 | 0.08 | 0.28 | 0.57 | 0.78 | 0.25 |
|       | 9mm              | -                                    | -    | -    | -    | -    | -    | 0.30 |
|       | 12mm             | 0.06                                 | 0.02 | 0.23 | 0.61 | 0.89 | 0.95 | 0.45 |
|       | 24mm             | 0.02                                 | 0.57 | 0.41 | 0.58 | 0.87 | 0.85 | 0.60 |
| ..... | 25mm, 50mm       | 0.08                                 | 0.27 | 0.64 | 1.00 | 0.97 | 0.96 | 0.70 |

## What is a Noise Reduction Coefficient (NRC)?

You'll find the NRC rating in the specifications of all of our products. This acronym stands for Noise Reduction Coefficient, and is expressed as a single number, a rating that describes the degree to which acoustic products can absorb sound.

You can use NRC values to understand the overall performance of our acoustic wall and ceiling products. The higher the NRC, the better the product is at soaking up the sound.

*Performance Indices: Noise Reduction Coefficient (NRC) results represent the absorption coefficients measured at the one third octave bands at 125, 250, 500, 1000, 2000 and 4000 Hz rounded to the nearest 0.05. Acoustic testing has been performed according to the methods mentioned above. Customization of installation of the product could alter the results. Sound Absorption Average (SAA) indicates the absorption coefficient average for the twelve one-third octave bands ranging between 200 and 2500 Hz.*

 For questions or additional product information, visit [acoufelt.com](http://acoufelt.com) or call **800.966.8557**.

**Solid Wall Panels** | January 2026