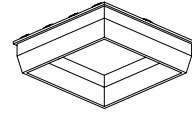


Ceiling Frames Field Modifications Guide

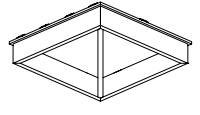
Premier and WoodGrain Collections

Recess Product Family

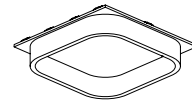
FOR THESE PRODUCTS:



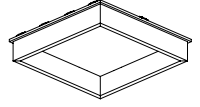
○ Chamfer



○ Cleft



○ Fillet



○ Waffle

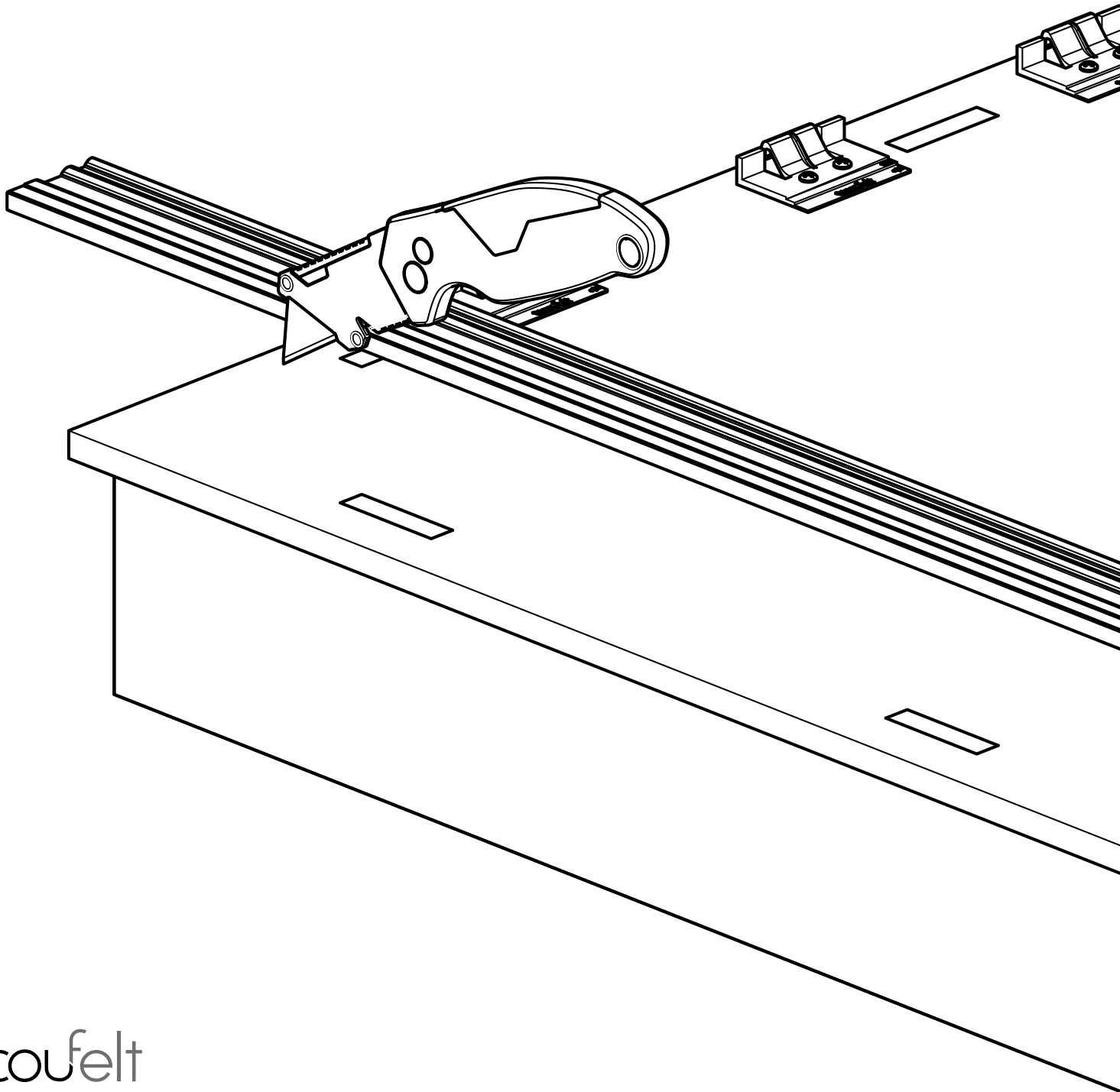


Table of Contents

Introduction.....	.03
Hardware and Tools.....	.04
Scribing Methods	
1. Field Scribing.....	.05
Coordination Methods	
1. Drop Pendant Lighting.....	.07
2. Recessed Lighting.....	.08
3. Fire Suppression System.....	.09



For questions or additional product information,
visit acoufelt.com or call **800.966.8557**.

Recess Ceiling Frames Field Modifications | December 2025

Introduction

Acoufelt's ceiling frames offer both acoustic performance and aesthetic appeal, enhancing a wide variety of spaces. This guide provides step-by-step instructions for scribing and coordinating Recess Ceiling Frames around lighting and systems, ensuring a secure and seamless installation no matter the setting. Carefully follow these guidelines to achieve optimal results while maintaining the integrity of the design and structure.

Important Notes

When modifying and installing Recess Ceiling Frames, consult with other relevant trades to ensure that the frames will not interfere with the performance of any other systems within the installation space.

Carefully evaluate structural conditions, project load, and load requirements to determine the appropriate anchoring solutions needed for a secure and stable installation.

Assembly notes and warnings:

Read and follow all instructions carefully before beginning any modifications and keep these instructions for future reference. Failure to follow these guidelines can result in incorrect alterations that may affect the product's safety, performance, or appearance. Confirm that all components are handled, cut, or adjusted according to the modification plan and follow workplace safety standards while using appropriate personal protective equipment throughout the process.

Disclaimer

Acoufelt strives to fulfill the needs of their customers by producing the highest quality felt products; however, due to the fine, fibrous, and textural nature of the product, slight visual imperfections may be seen when viewing the product from less than 3 to 5 feet. These slight visual imperfections are within a normal manufacturing industry tolerance and do not affect the product's performance or durability.

Consult local building codes and/or a fire engineer to determine the proper locations for any grids in relation to any fire suppression system located with the installation space.

Product Tolerances

Variation of frame dimensions $\pm [1/16" (1.6mm)]$ in 110" (2800mm), noncumulative

Variation of frame thickness $\pm [10\%]$ in 12mm thickness, noncumulative

Set Up and Unpacking

Product shall be stored in a dry interior location and shall remain in boxes prior to installation to avoid damage. The boxes shall be stored in crated orientation and not stacked with any added weight. Proper care should be taken when handling to avoid damage or soiling.

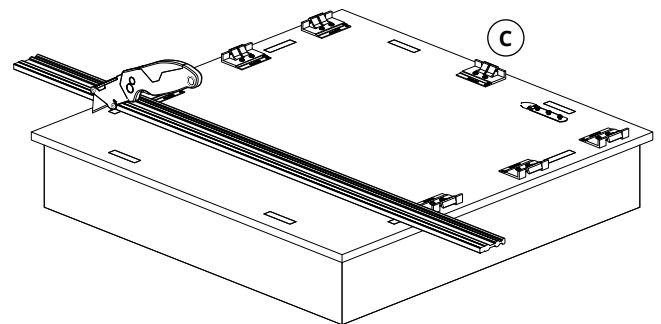
Product containers should only be opened in a clean area, free of construction dust. Wearing clean, cloth gloves, carefully remove the components from the packing materials. Verify all items listed on the packing list are included.

Inspect products after opening. If products appear to be damaged or defective on visual inspection, do not modify and contact an Acoufelt representative immediately.

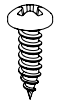
Using the Instructions

Begin by locating your scribing and/or coordination method in the table of contents (on the previous page), then refer to its corresponding page in the document.

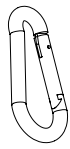
Each scribing and coordination method includes a list of required tools (provided by the installer). Each scribing method includes a list of parts as well. Each part will be labeled with a corresponding letter, which will serve as a guide through the mounting method steps and drawings (see example below).



Hardware



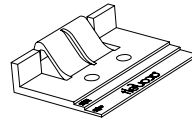
#6 x 1/2" Screw



Carabiner



End cap



T-grid panel clips

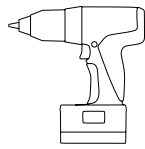
Tools



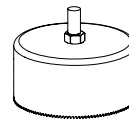
Construction pencil



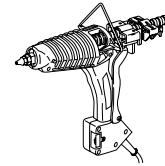
Construction adhesive



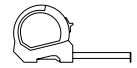
Drill



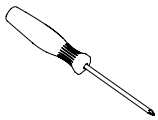
Hole saw blade



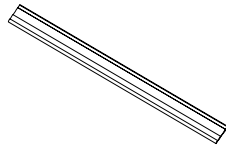
Hot melt applicator



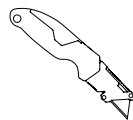
Measuring tape



Screwdriver

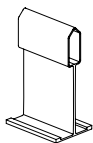


Straight edge

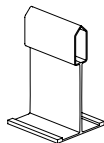


Utility knife

Recommended T-grid



9/16" Flat T-grid



15/16" Flat T-grid



For questions or additional product information, visit [acoufelt.com](https://www.acoufelt.com) or call 800.966.8557.

Recess Ceiling Frames Field Modifications | December 2025

1 Field Scribing

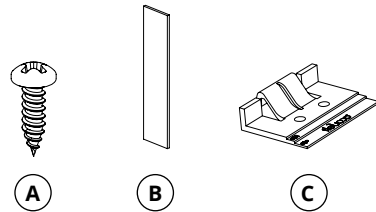
PARTS LIST*

A. #6 x 1/2" Screw

B. End caps

C. T-grid panel clips

*Quantities will vary



TOOLS

Construction adhesive or hot melt applicator

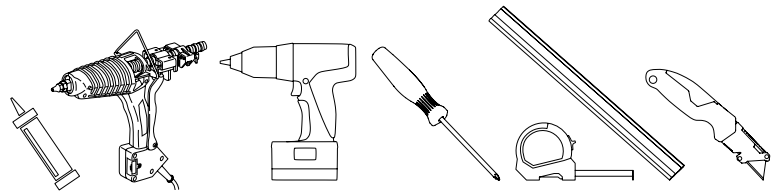
Construction pencil

Drill or screwdriver

Measuring tape

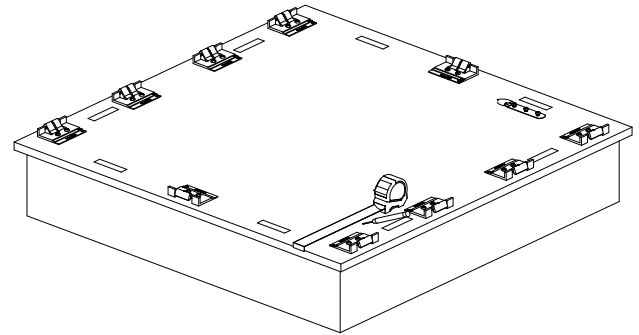
Straight edge

Utility knife



Step 1: Measure

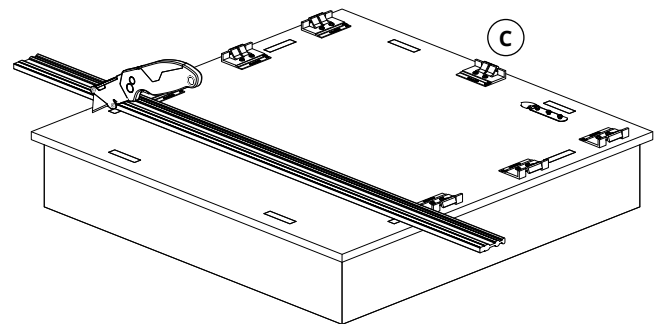
Before scribing begins, measure the distance from the wall or obstruction to the edge of the T-grid to determine where the frame needs to be scribed. Then mark the scribing location on the back of the frame with a construction pencil.



Step 2: Remove clips and scribe

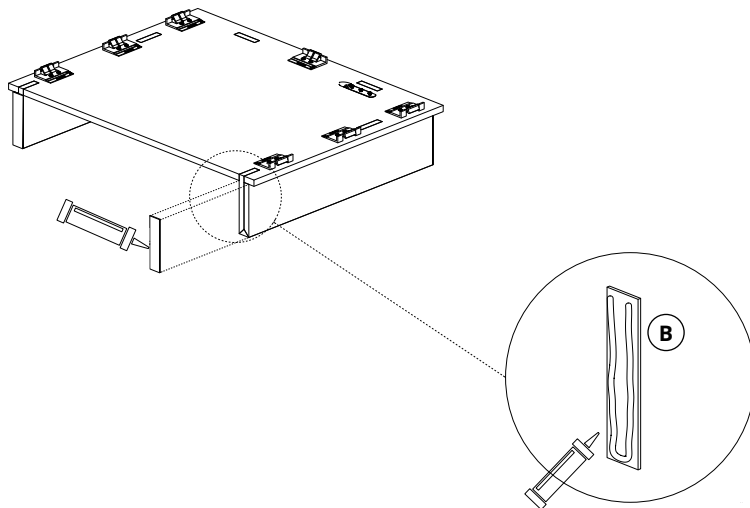
Remove any T-grid panel clips from the scribed piece with a drill and set them aside for future use. If a strap hanger falls within the scribing area, remove that as well and set it aside. Using a sharp utility knife and a straight edge, carefully score the frame to the desired length. Plan on making several passes before the blade goes fully through.

Note: Be sure to discard any piece that is shorter than 4 inches and any pieces not required elsewhere in the installation. If the scribed piece is at least 4 inches in length, it can be used elsewhere in the installation.



Step 3: Attach end caps

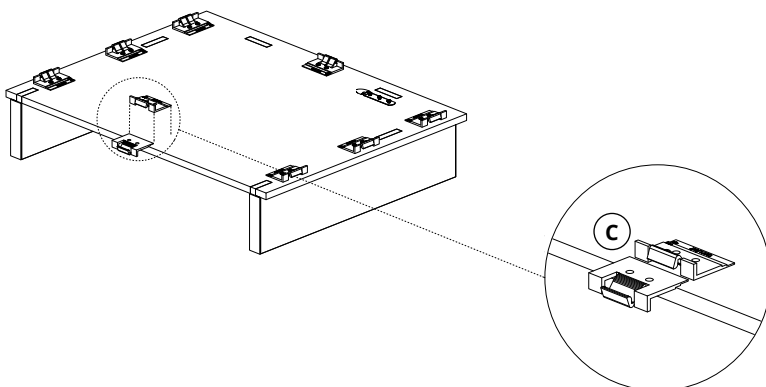
Apply construction adhesive or hot melt along the perimeter of the end caps and secure them to the exposed edges of the scribed frame.



Step 4: Measure sides

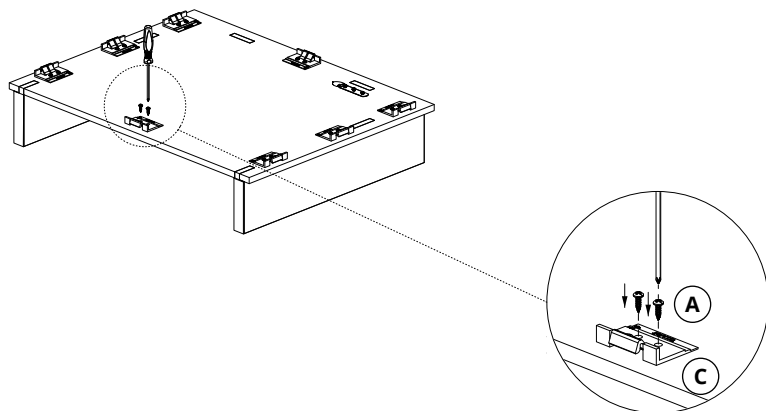
For the side of the frame that sits against a wall or other obstruction, measure the full width of the T-grid. Mark that measurement on the frame, then place the clip at that exact distance with a measuring tape.

For the remaining scribed sides, an extra T-grid panel clip serves as the guide. The molded 15/16" and 9/16" markings show the two compatible T-grid sizes. Flip the clip over, align it with the edge of the frame, and select the marking that matches the installation. Use that reference point to position the clip.



Step 5: Reattach clips

Secure each clip using the provided specified #6 x 1/2" screws and a screwdriver or drill. Be sure not to overtighten, as this may damage the clip or cause material to dimple. Repeat this process for all required clips to ensure proper support for the tile. If the strap hanger was removed during the scribing process, it should also be reattached at this time within 4" of the frame's edge.



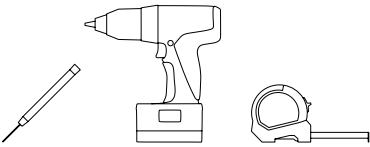
1 Drop Pendant

TOOLS

Construction pencil

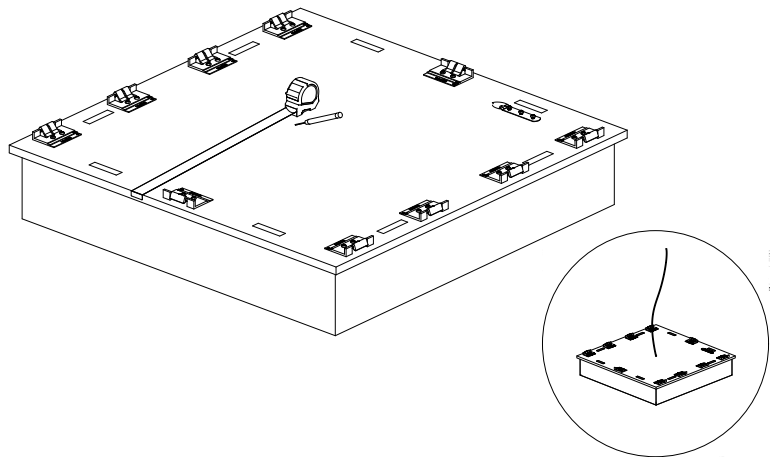
Measuring tape

Drill



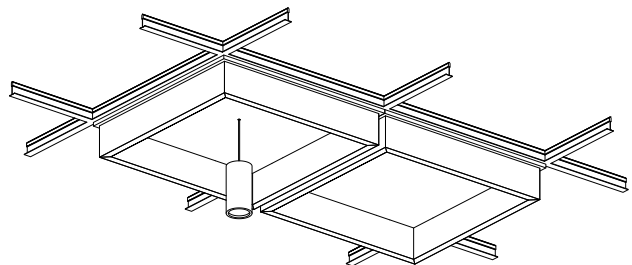
Step 1: Measure and drill openings

Measure and mark the location of pendant light stems or cords on the frame, positioning them between slats. Drill through the frame from the top side of the frame. All lighting must be independently suspended to avoid compromising the integrity of the product.



Step 2: Thread lights through frames

Thread the light stems or cords through the drilled openings, and proceed with installing the frame per standard instructions. Then continue to install the lighting according to the lighting manufacturer's guidelines.



2 Recessed Lighting

Recessed lighting frames should come without slats.

TOOLS

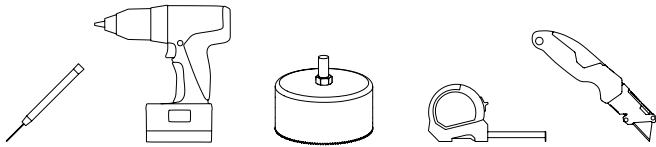
Construction pencil

Measuring tape

Drill

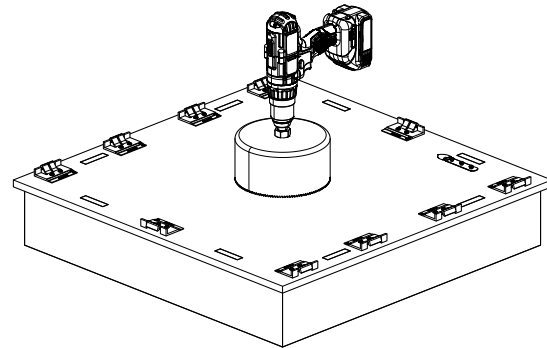
Utility knife

Hole saw



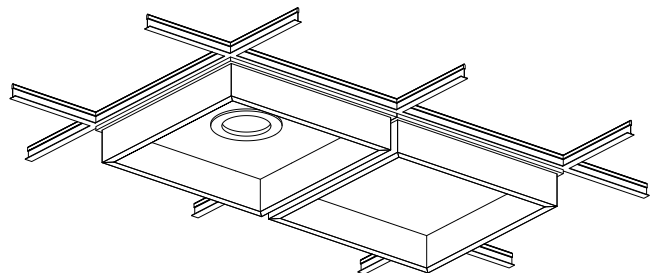
Step 1: Measure and drill openings

Measure and mark the location of the recessed light on the back of the frame backer. Use a sharp utility knife or hole saw to cut an opening to the required size. **For lighting fixtures without a trim piece, make an initial cut from the front side to ensure a clean edge in the felt panel.**



Step 2: Thread lights through frames

All lighting must be independently suspended to avoid compromising the integrity of the product. Proceed with installing the frame per standard instructions.



3 Fire Suppression System

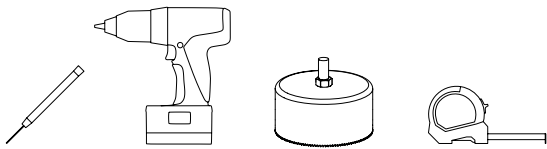
TOOLS

Construction pencil

Hole saw

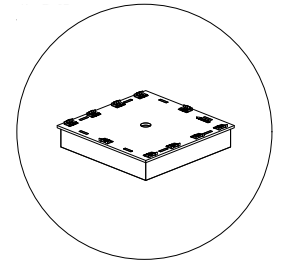
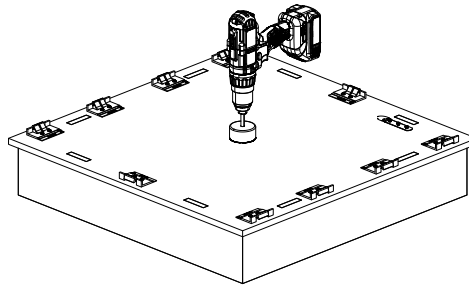
Drill

Measuring tape



Step 1: Measure and drill openings

Measure and mark the location of the sprinkler head on the back of the frame. Remove any conflicting slats. Drill through the frame from the top side of the frame using an appropriately sized hole saw.



Step 2: Install sprinklers and frame

Install sprinkler assemblies according to the manufacturer's instructions. Sprinklers must be independently suspended to avoid compromising the frames. Then follow standard frames installation steps.

