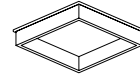


Ceiling Frames Installation Guide

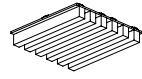
Premier, Essentials, WoodGrain Collections

T-Grid Panel Clip Connection

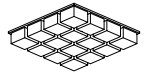
FOR THESE PRODUCTS:



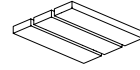
○ Recess



○ SoftenUp



○ Vista



○ Rafter

STANDARD INSTALLATION

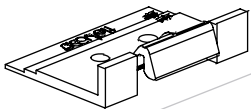
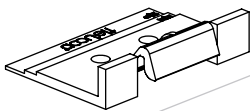
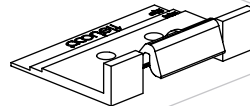
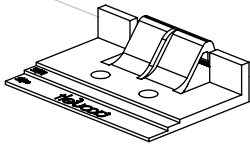


Table of Contents

Introduction.....	03
Hardware and Tools.....	04
T-Grid Panel Clip Standard Installation.....	05

Introduction

Acoufelt's ceiling frames offer both acoustic performance and aesthetic appeal, enhancing a wide variety of spaces. This guide provides step-by-step instructions for scribing and coordinating frames around lighting and systems, ensuring a secure and seamless installation no matter the setting. Carefully follow these guidelines to achieve optimal results while maintaining the integrity of the design and structure.

Important Notes

When installing Acoufelt frames, consult with other relevant trades to ensure that the frames will not interfere with the performance of any other systems within the installation space.

Verify that all Acoufelt frames are installed in the correct orientation as indicated in the Acoufelt print and installation plan to maintain consistency and avoid variations that could impact the overall appearance of the finished installation.

Carefully evaluate structural conditions, project load, and load requirements to determine the appropriate anchoring solutions needed for a secure and stable installation.

Assembly notes and warnings:

Read and follow all instructions carefully before beginning the installation and retain these instructions for future reference. Failure to adhere to these guidelines may result in improper installation, which could compromise the safety, functionality, or aesthetic quality of the finished project. Ensure all components are properly assembled and secured according to the installation plan and follow workplace safety standards while using appropriate personal protective equipment during installation.

Disclaimer

Acoufelt strives to fulfill the needs of their customers by producing the highest quality felt products; however, due to the fine, fibrous, and textural nature of the product, slight visual imperfections may be seen when viewing the product from less than 3 to 5 feet. These slight visual imperfections are within a normal manufacturing industry tolerance and do not affect the product's performance or durability.

Consult local building codes and/or a fire engineer to determine the proper locations for any grids in relation to any fire suppression system located with the installation space.

Installation Tolerances

Variation of frame dimensions $\pm [1/16" (1.6mm)]$
in 110" (2800mm), noncumulative

Variation of frame thickness $\pm [10%]$ in 12mm
thickness, noncumulative

Set Up and Unpacking

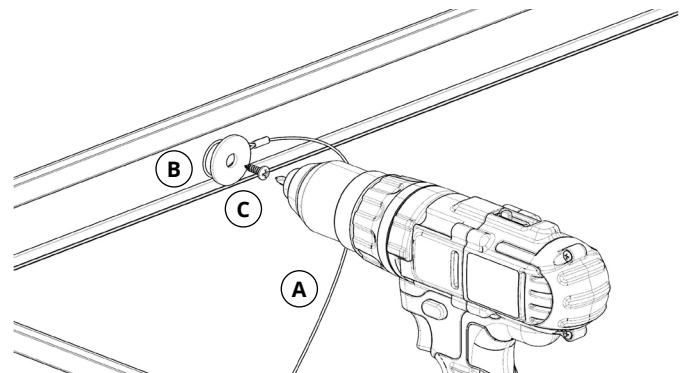
Product shall be stored in a dry interior location and shall remain in boxes prior to installation to avoid damage. The boxes shall be stored in crated orientation and not stacked with any added weight. Proper care should be taken when handling to avoid damage or soiling.

Product containers should only be opened in a clean area, free of construction dust. Wearing clean, cloth gloves, carefully remove the components from the packing materials. Verify all items listed on the packing list are included.

Inspect products after opening. If products appear to be damaged or defective on visual inspection, do not install and contact an Acoufelt representative immediately.

Using the Instructions

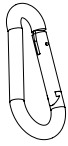
Each mounting method includes a list of required tools (provided by the installer) and parts. Each part will be labeled with a corresponding letter, which will serve as a guide through the mounting method steps and drawings (see example below).



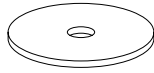
Hardware



#6 x 1/4" Screw



Carabiner

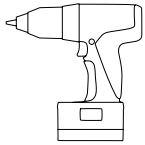


Flat washer



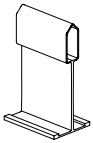
Safety cable

Tools

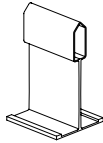


Drill

Recommended T-grid



9/16" Flat T-grid



15/16" Flat T-grid



For questions or additional product information, visit [acoufelt.com](https://www.acoufelt.com) or call **800.966.8557**.

T-Grid Panel Clip Standard Installation

Consult local codes and a structural engineer before installation. To protect safety and product integrity, all fixtures must be independently supported and not rely on the frames.

PARTS LIST*

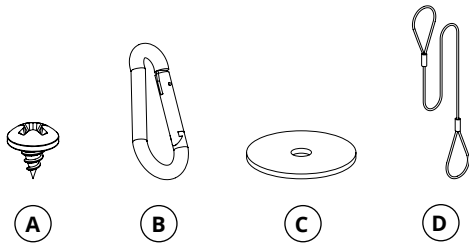
A. #6 x 1/4" Screw

B. Carabiner

C. Flat washer

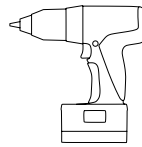
D. Safety cable

*Quantities will vary



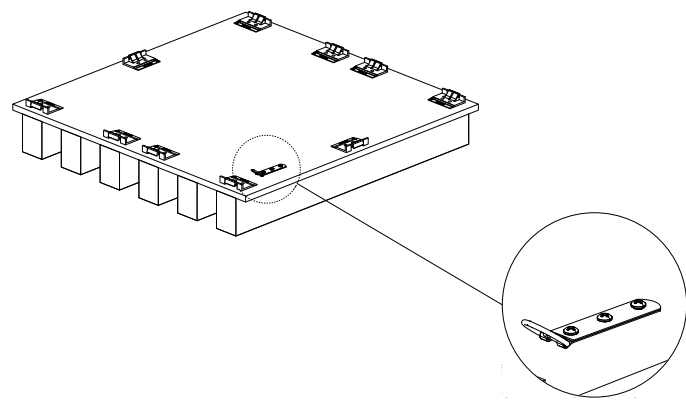
TOOLS

Drill



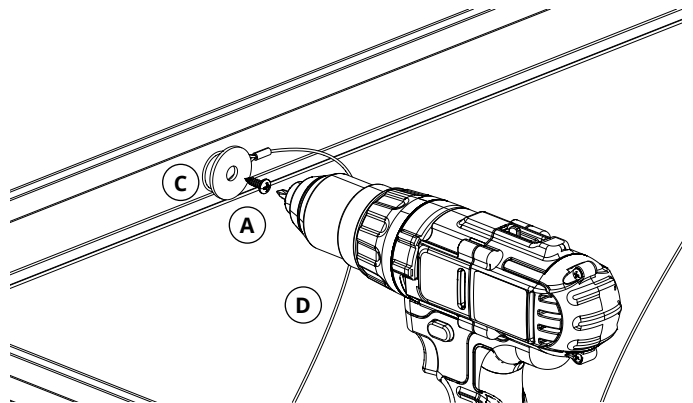
Step 1: Locate components

To begin installation, locate the pre-installed strap hanger on the back of the frame. Then find the provided safety cable kit, which includes #6 x 1/4" screw, carabiner, flat washer, and safety cable. If project-specific installation drawings have been provided, reference the T-grid layout to ensure proper placement/mounting locations.



Step 2: Attach the safety cable to T-grid

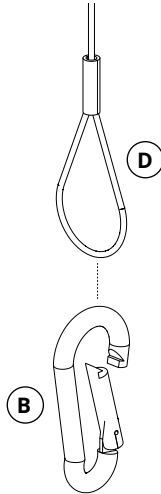
Ensure the T-grid is structural and rated to support the weight of the frame. Then, using a drill, secure the safety cable to the inside of the T-grid with the included flat washer and screw.



T-Grid Panel Clip Standard Installation *Continued*

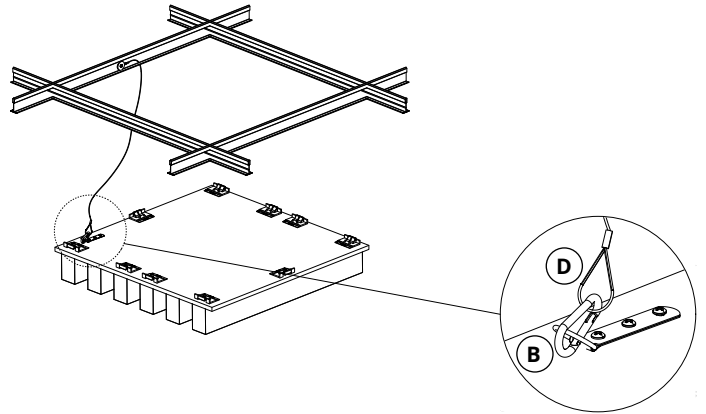
Step 3: Connect to carabiner

Attach the carabiner to the other end of the safety cable.



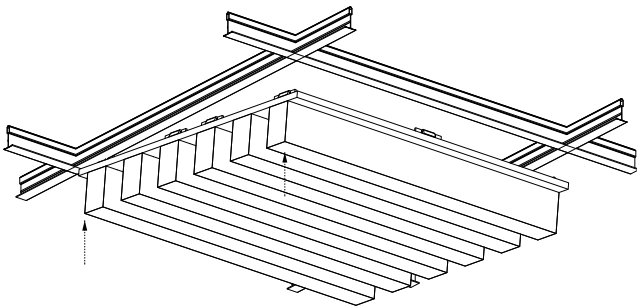
Step 4: Attach safety cable to strap hanger

Attach the carabiner to the strap hanger on the back of the frame.



Step 5: Attach frame into grid

Hook one side of the T-grid panel clips onto the T-grid. Then lift and press the opposite side of the panel until the clips snap securely onto the adjacent T-grid.



Step 6: Final check

Inspect all edges of the frame to confirm that each clip is securely fastened to the T-grid. Then verify that the safety cable is properly connected to both the strap hanger and the T-grid.

