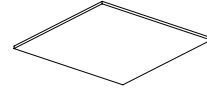


# Ceiling Panel Installation Guide

Premier, WoodGrain Collections

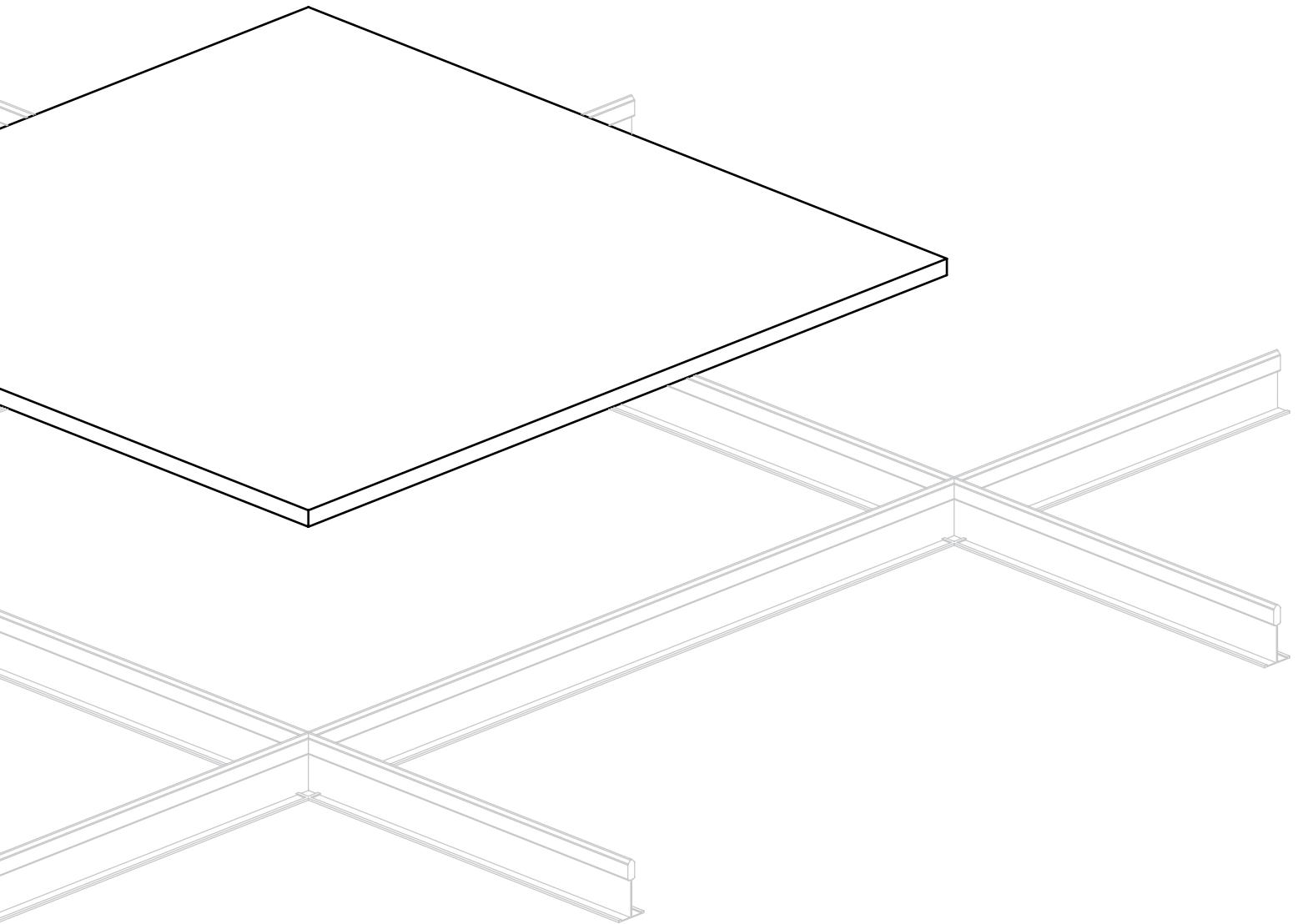
## Lay-In Connection

FOR THIS PRODUCT:



O Cover, Staple

STANDARD INSTALLATION



# Table of Contents

Introduction.....	03
Panel Lay-In Standard Installation.....	04

# Introduction

Acoufelt's ceiling frames offer both acoustic performance and aesthetic appeal, enhancing a wide variety of spaces. This guide provides instructions for laying in our panels onto T-grids. Carefully follow these guidelines to achieve optimal results while maintaining the integrity of the design and structure.

## Important Notes

When installing Acoufelt frames, consult with other relevant trades to ensure that the frames will not interfere with the performance of any other systems within the installation space.

Verify that all Acoufelt frames are installed in the correct orientation as indicated in the Acoufelt print and installation plan to maintain consistency and avoid variations that could impact the overall appearance of the finished installation.

Carefully evaluate structural conditions, project load, and load requirements to determine the appropriate anchoring solutions needed for a secure and stable installation.

### Assembly notes and warnings:

Read and follow all instructions carefully before beginning the installation and retain these instructions for future reference. Failure to adhere to these guidelines may result in improper installation, which could compromise the safety, functionality, or aesthetic quality of the finished project. Ensure all components are properly assembled and secured according to the installation plan and follow workplace safety standards while using appropriate personal protective equipment during installation.

## Disclaimer

Acoufelt strives to fulfill the needs of their customers by producing the highest quality felt products; however, due to the fine, fibrous, and textural nature of the product, slight visual imperfections may be seen when viewing the product from less than 3 to 5 feet. These slight visual imperfections are within a normal manufacturing industry tolerance and do not affect the product's performance or durability.

Consult local building codes and/or a fire engineer to determine the proper locations for any grids in relation to any fire suppression system located with the installation space.

## Installation Tolerances

Variation of frame dimensions  $\pm [1/16"$  (1.6mm)] in 110" (2800mm), noncumulative

Variation of frame thickness  $\pm [10\%]$  in 12mm thickness, noncumulative

## Set Up and Unpacking

Product shall be stored in a dry interior location and shall remain in boxes prior to installation to avoid damage. The boxes shall be stored in crated orientation and not stacked with any added weight. Proper care should be taken when handling to avoid damage or soiling.

Product containers should only be opened in a clean area, free of construction dust. Wearing clean, cloth gloves, carefully remove the components from the packing materials. Verify all items listed on the packing list are included.

Inspect products after opening. If products appear to be damaged or defective on visual inspection, do not install and contact an Acoufelt representative immediately.



For questions or additional product information, visit [acoufelt.com](https://www.acoufelt.com) or call **800.966.8557**.

Panel Lay-In Instructions | June 2025

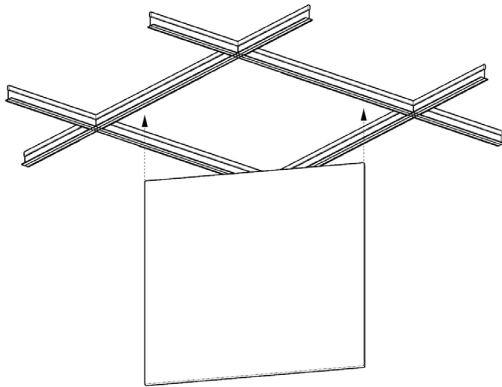
# Panel Standard Installation

Consult local codes and a structural engineer before installation. To protect safety and product integrity, all fixtures must be independently supported and not rely on the frames.

---

## Step 1: Move panel above T-grid

If installation documents have been provided, reference the T-grid and panel layout before beginning. To install the panel, start by angling the panel so you can fit it through the T-grid opening.



## Step 2: Lay flat on T-grid

Once the panel is positioned above the T-grid, lower it gently until it rests flat on the grid. Confirm that it is level and securely in place.

