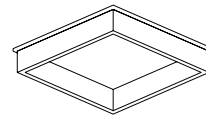


# Ceiling Frames Installation Guide

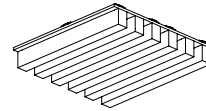
Premier, Essentials, WoodGrain Collections

## T-grid Panel Clip Connection

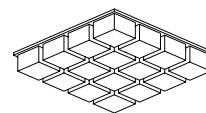
### FOR THESE PRODUCT FAMILIES:



Recess



SoftenUp



Vista

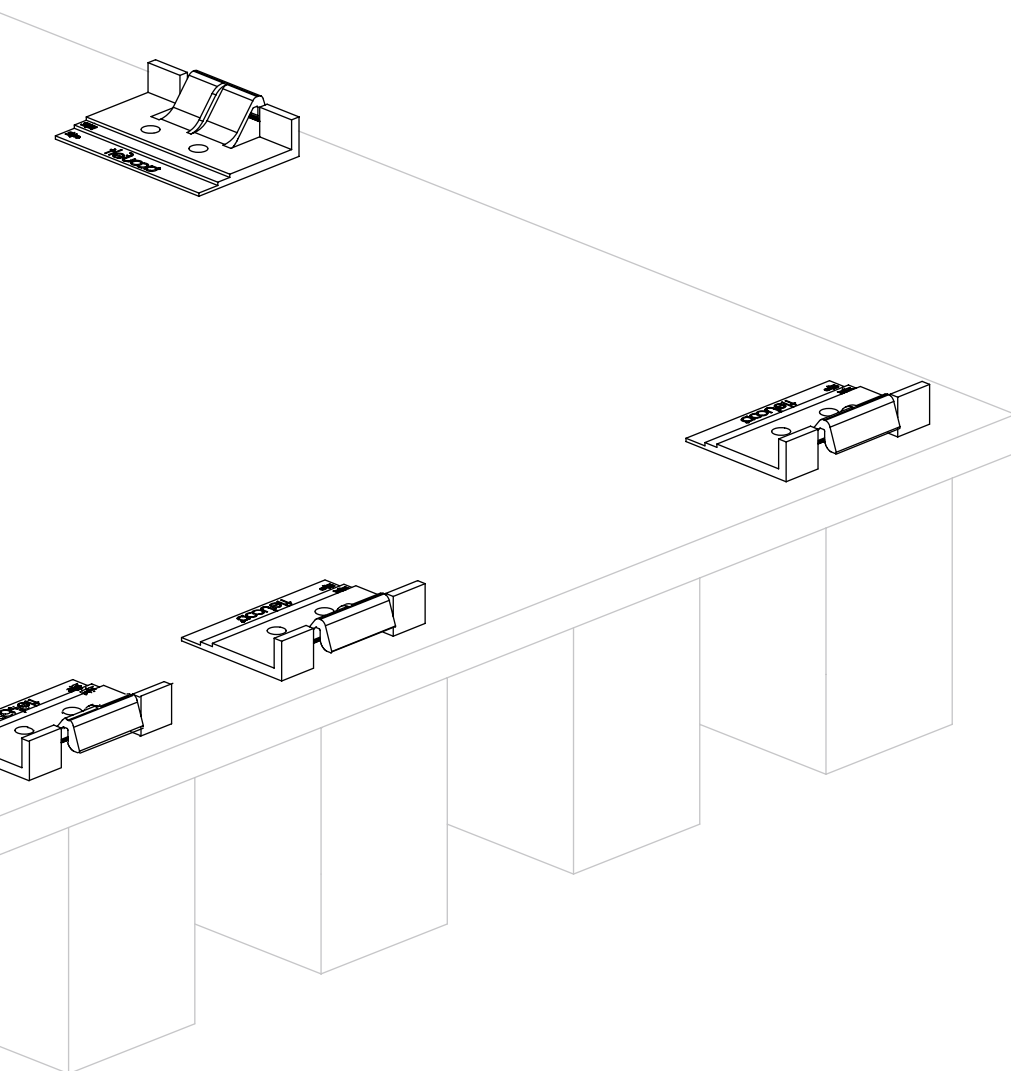
### FOR THESE SCRIBING METHODS:

- Perpendicular to Slats
- Parallel to Slats
- Conflicting Slats

---

### FOR THESE COORDINATION METHODS:

- Drop Pendant Lighting
  - Recessed Lighting
  - Grid Mounted Lighting
  - Fire Suppression System
- 



# Table of Contents

Introduction.....	03
Hardware and Tools.....	04
T-grid Panel Clip Standard Installation.....	05
Scribing Methods	
1. Perpendicular to Slats.....	07
2. Parallel to Slats.....	09
3. Conflicting Slats.....	11
Coordination Methods	
1. Drop Pendant Lighting.....	13
2. Recessed Lighting.....	14
3. Grid Mounted Lighting.....	15
4. Fire Suppression System.....	16



For questions or additional product information,  
visit [acoufelt.com](https://www.acoufelt.com) or call **800.966.8557**.

# Introduction

Acoufelt's ceiling frames offer both acoustic performance and aesthetic appeal, enhancing a wide variety of spaces. This guide provides step-by-step instructions for scribing and coordinating frames around lighting and systems, ensuring a secure and seamless installation no matter the setting. Carefully follow these guidelines to achieve optimal results while maintaining the integrity of the design and structure.

## Important Notes

When installing Acoufelt frames, consult with other relevant trades to ensure that the frames will not interfere with the performance of any other systems within the installation space.

Verify that all Acoufelt frames are installed in the correct orientation as indicated in the Acoufelt print and installation plan to maintain consistency and avoid variations that could impact the overall appearance of the finished installation.

Carefully evaluate structural conditions, project load, and load requirements to determine the appropriate anchoring solutions needed for a secure and stable installation.

### Assembly notes and warnings:

Read and follow all instructions carefully before beginning the installation and retain these instructions for future reference. Failure to adhere to these guidelines may result in improper installation, which could compromise the safety, functionality, or aesthetic quality of the finished project. Ensure all components are properly assembled and secured according to the installation plan and follow workplace safety standards while using appropriate personal protective equipment during installation.

## Disclaimer

Acoufelt strives to fulfill the needs of their customers by producing the highest quality felt products; however, due to the fine, fibrous, and textural nature of the product, slight visual imperfections may be seen when viewing the product from less than 3 to 5 feet. These slight visual imperfections are within a normal manufacturing industry tolerance and do not affect the product's performance or durability.

Consult local building codes and/or a fire engineer to determine the proper locations for any grids in relation to any fire suppression system located with the installation space.

## Installation Tolerances

Variation of frame dimensions  $\pm [1/16" (1.6mm)]$   
in 110" (2800mm), noncumulative

Variation of frame thickness  $\pm [10%]$  in 12mm  
thickness, noncumulative

## Set Up and Unpacking

Product shall be stored in a dry interior location and shall remain in boxes prior to installation to avoid damage. The boxes shall be stored in crated orientation and not stacked with any added weight. Proper care should be taken when handling to avoid damage or soiling.

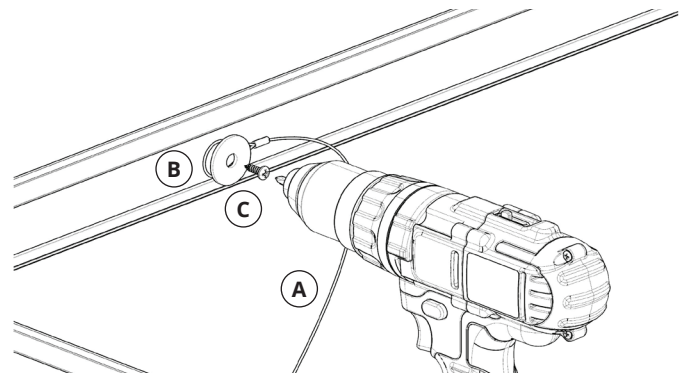
Product containers should only be opened in a clean area, free of construction dust. Wearing clean, cloth gloves, carefully remove the components from the packing materials. Verify all items listed on the packing list are included.

Inspect products after opening. If products appear to be damaged or defective on visual inspection, do not install and contact an Acoufelt representative immediately.

## Using the Instructions

Begin by locating your scribing and/or coordination method in the table of contents (on the previous page), then refer to its corresponding page in the document.

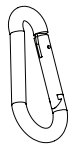
Each scribing and coordination method includes a list of required tools (provided by the installer). Each scribing method includes a list of parts as well. Each part will be labeled with a corresponding letter, which will serve as a guide through the mounting method steps and drawings (see example below).



## Hardware



#6 x 1/4" Screw



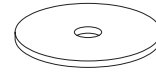
Carabiner



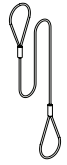
End cap



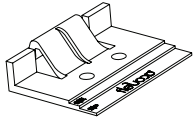
Felt strip



Flat washer



Safety cable



T-grid panel clips

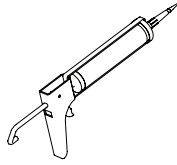
## Tools



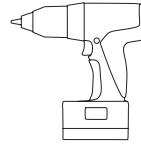
Construction adhesive



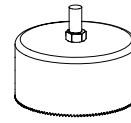
Construction marker



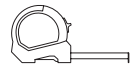
Caulk gun



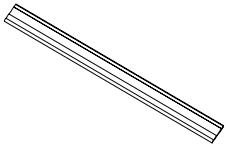
Drill



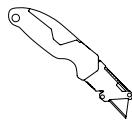
Hole saw blade



Measuring tape

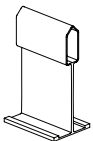


Straight edge

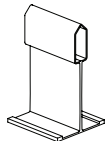


Utility knife

## Recommended T-grid



9/16" Flat T-grid



15/16" Flat T-grid



For questions or additional product information, visit [acoufelt.com](https://www.acoufelt.com) or call 800.966.8557.

Frame T-grid Panel Clip Instructions | June 2025

# T-grid Panel Clip Standard Installation

Consult local codes and a structural engineer before installation. To protect safety and product integrity, all fixtures must be independently supported and not rely on the frames.

## PARTS LIST\*

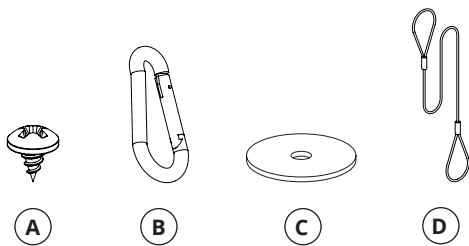
A. #6 x 1/4" Screw

B. Carabiner

C. Flat washer

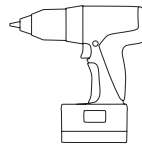
D. Safety cable

\*Quantities will vary



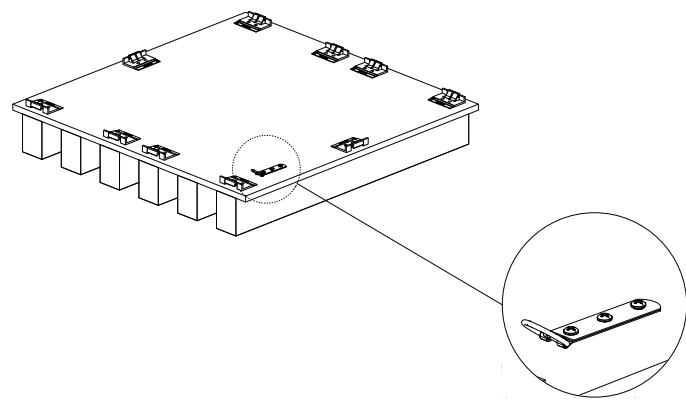
## TOOLS

Drill



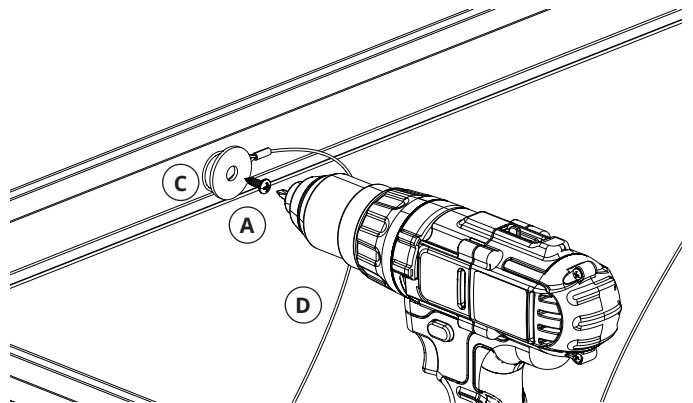
## Step 1: Locate components

To begin installation, locate the pre-installed strap hanger on the back of the frame. Then find the provided safety cable kit, which includes #6 x 1/4" screw, carabiner, flat washer, and safety cable. If project-specific installation drawings have been provided, reference the T-grid layout to ensure proper placement/mounting locations.



## Step 2: Attach the safety cable to T-grid

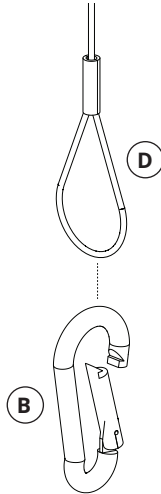
Ensure the T-grid is structural and rated to support the weight of the frame. Then, using a drill, secure the safety cable to the inside of the T-grid with the included flat washer and screw.



# T-grid panel clip Standard Installation *Continued*

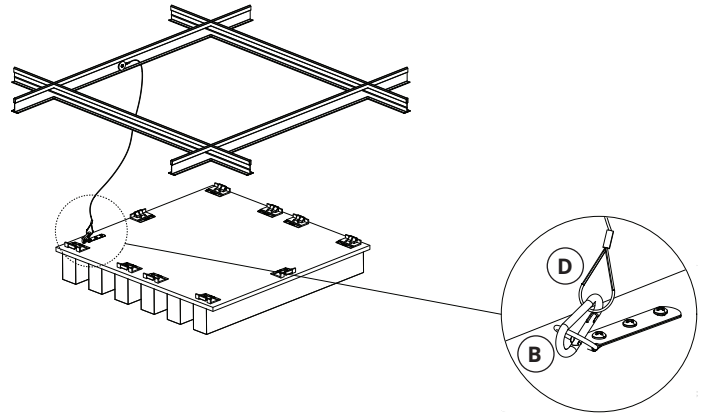
## Step 3: Connect to carabiner

Attach the carabiner to the other end of the safety cable.



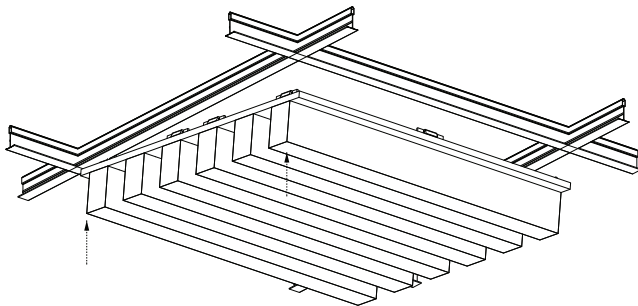
## Step 4: Attach safety cable to strap hanger

Attach the carabiner to the strap hanger on the back of the frame.



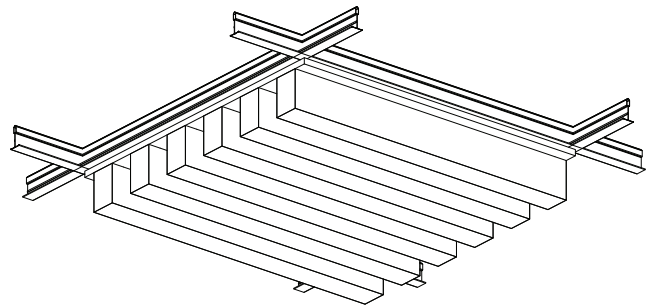
## Step 5: Attach frame into grid

Hook one side of the T-grid panel clips onto the T-grid. Then lift and press the opposite side of the panel until the clips snap securely onto the adjacent T-grid.



## Step 6: Final check

Inspect all edges of the frame to confirm that each clip is securely fastened to the T-grid. Then verify that the safety cable is properly connected to both the strap hanger and the T-grid.



# 1 Perpendicular to Slats

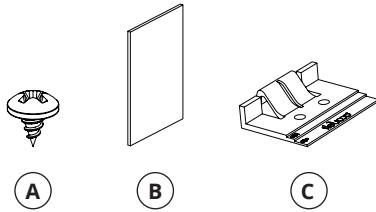
## PARTS LIST\*

A. #6 x 1/4" Screw

B. End caps

C. T-grid panel clips

\*Quantities will vary



## TOOLS

Caulk gun

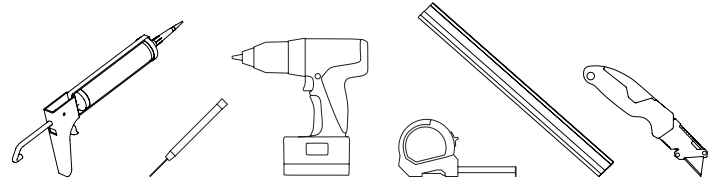
Construction marker

Drill

Measuring tape

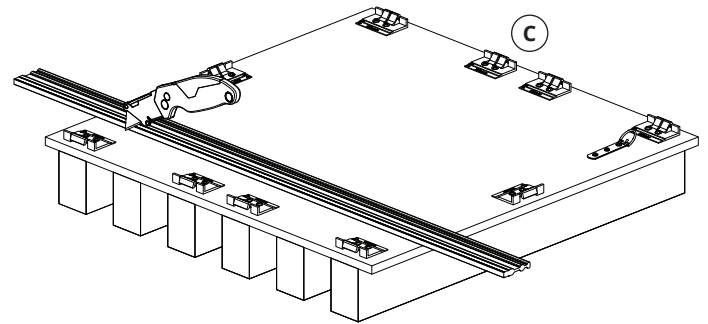
Straight edge

Utility knife



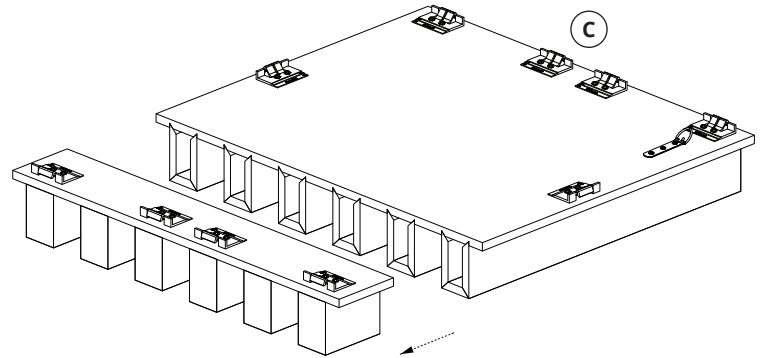
## Step 1: Measure and scribe

Measure and mark the scribing location on the back of the frame. Using a sharp utility knife and a straight edge, carefully score the tile to the desired length. If the strap hanger is in the scribing area, remove it using a drill and set it aside.



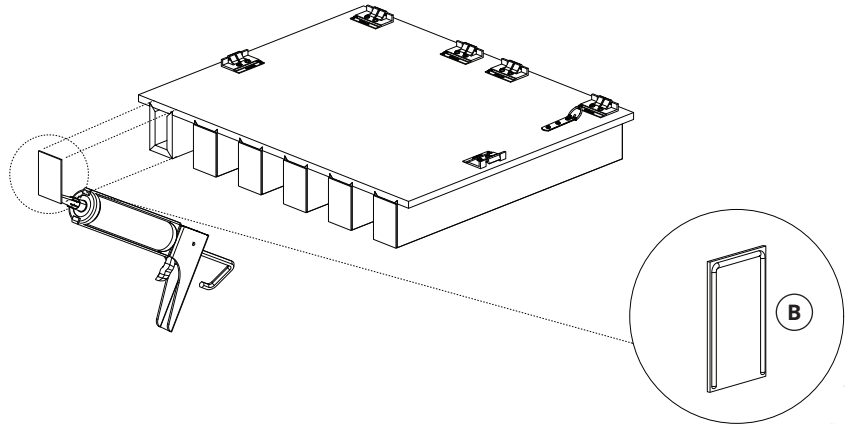
## Step 2: Discard pieces and remove end caps and clips

Discard any piece that is shorter than 4 inches and any pieces not required elsewhere in the installation. If the scribed piece is at least 4 inches in length, it can be used elsewhere in the installation. If additional end caps were not provided, remove the end caps from the scribed piece and set them aside. Any T-grid panel clips on the scribed piece should also be removed and set aside for future use.



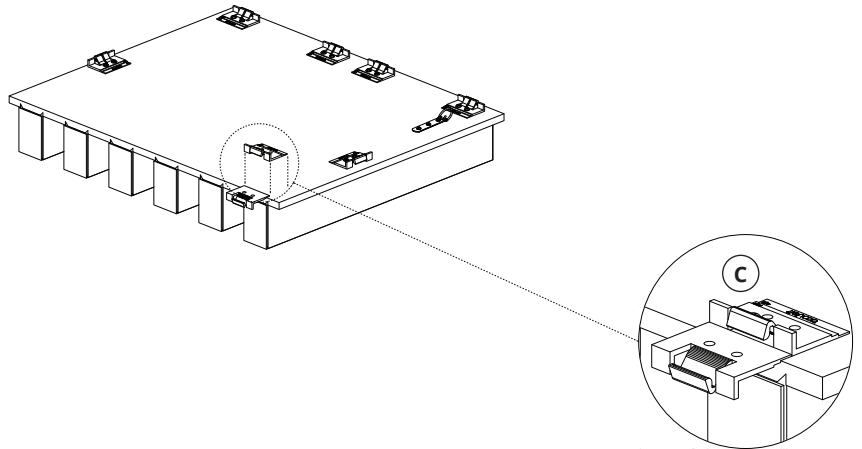
### Step 3: Attach end caps

Apply construction adhesive along the perimeter of the end caps and secure them to the exposed edges of the scribed frame.



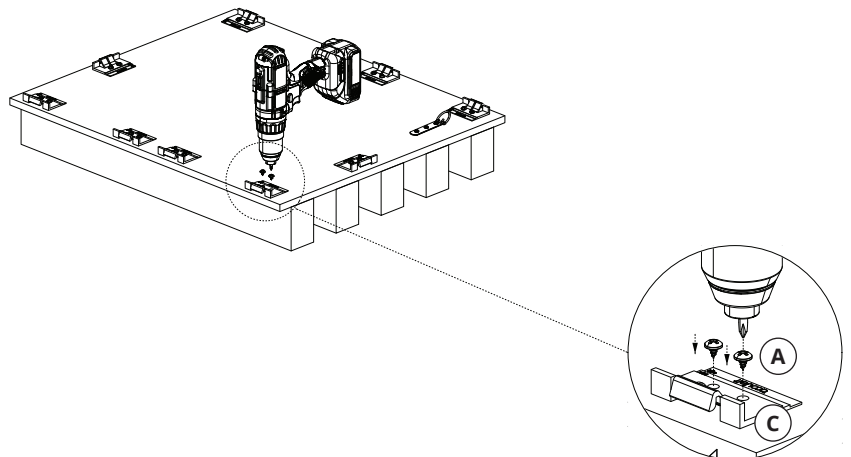
### Step 4: Measure with clips

Use an extra clip as a measuring guide to set the correct placement from the frame's edge. Flip the clip over and align it with the edge of the backer. The molded markings, 15/16" and 9/16", indicate the two compatible T-grid sizes. Select the appropriate marking for your installation, then use that reference point to position your actual clip before drilling it into place.



### Step 5: Reattach clips

Secure each clip using the provided #6 x 1/4" screws. Do not overtighten, as this may damage the clip or backer. Repeat this process for all required clips to ensure proper support for the tile. If the strap hanger was removed during the scribing process, it should also be reattached at this time within 4" of the frame's edge.



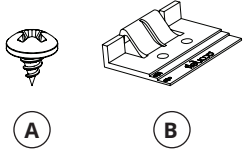
## 2 Parallel to Slats

### PARTS LIST\*

A. #6 x 1/4" Screw

B. T-grid panel clip

\*Quantities will vary



### TOOLS

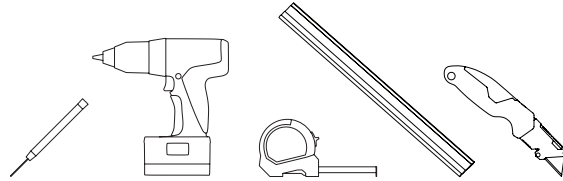
Construction marker

Straight edge

Drill

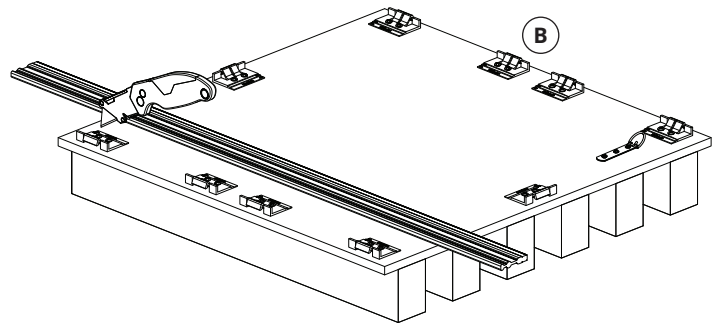
Utility knife

Measuring tape



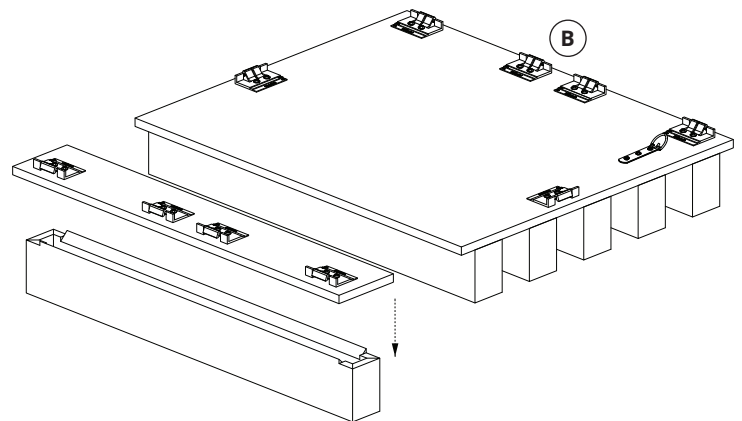
### Step 1: Measure and scribe

Measure and mark the scribing location on the back of the frame. Using a sharp utility knife and a straight edge, carefully score the frame's backer to the desired length. If the strap hanger is in the scribing area, remove it using a drill and set it aside.



### Step 2: Discard pieces

Separate the scribed frame. Discard any piece that is shorter than 4 inches and any pieces not required elsewhere in the installation. If the scribed piece is 4 inches or longer in width, it can be used elsewhere in the installation. Any T-grid panel clips on the scribed piece should also be removed and set aside for future use.

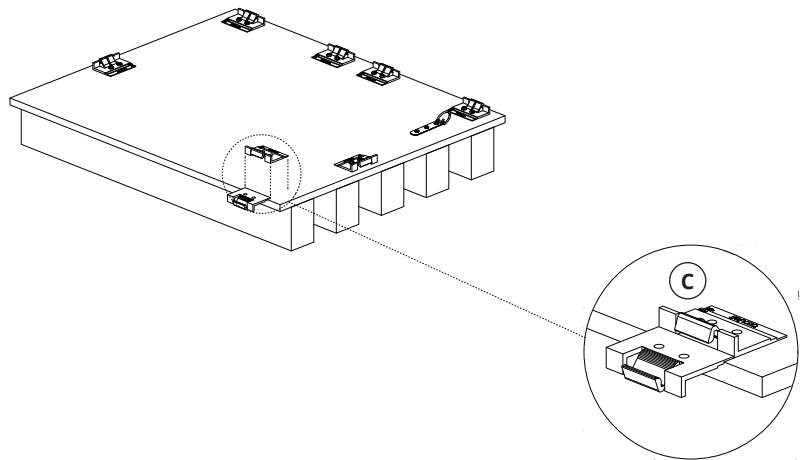


For questions or additional product information, visit [acoufelt.com](https://www.acoufelt.com) or call 800.966.8557.

Frame T-grid Panel Clip Instructions | June 2025

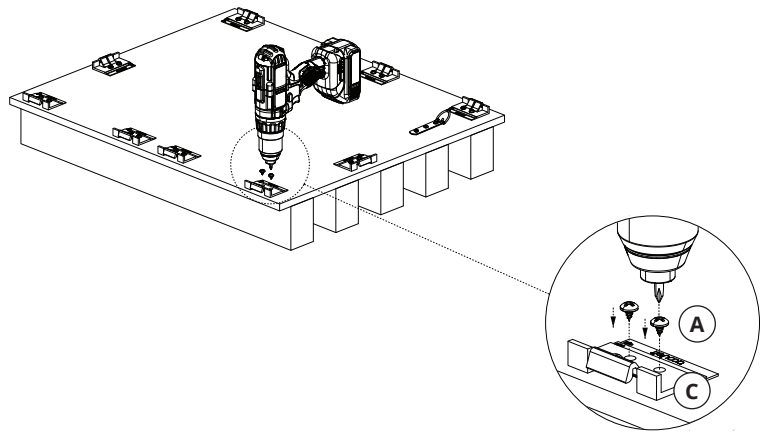
### Step 3: Measure with clips

Use an extra clip as a measuring guide to set the correct placement from the frame's edge. Flip the clip over and align it with the edge of the backer. The molded markings, 15/16" and 9/16", indicate the two compatible T-grid sizes. Select the appropriate marking for your installation, then use that reference point to position your actual clip before drilling it into place.



### Step 4: Reattach clips

Secure each clip using the two provided #6 screws. Do not overtighten, as this may damage the clip or backer. Repeat this process for all required clips to ensure proper support for the tile. If the strap hanger was removed during the scribing process, it should also be reattached at this time within 4" of the frame's edge.



## 3 Conflicting Slats

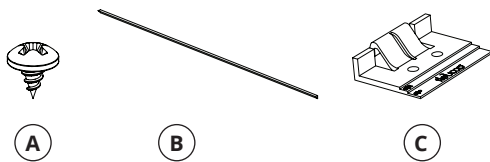
### PARTS LIST\*

A. #6 x 1/4" Screw

B. Felt strip

C. T-grid panel clip

\*Quantities will vary



### TOOLS

Caulk gun

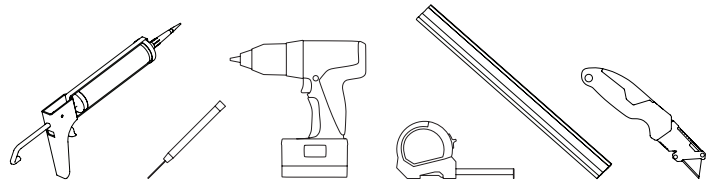
Construction marker

Drill

Measuring tape

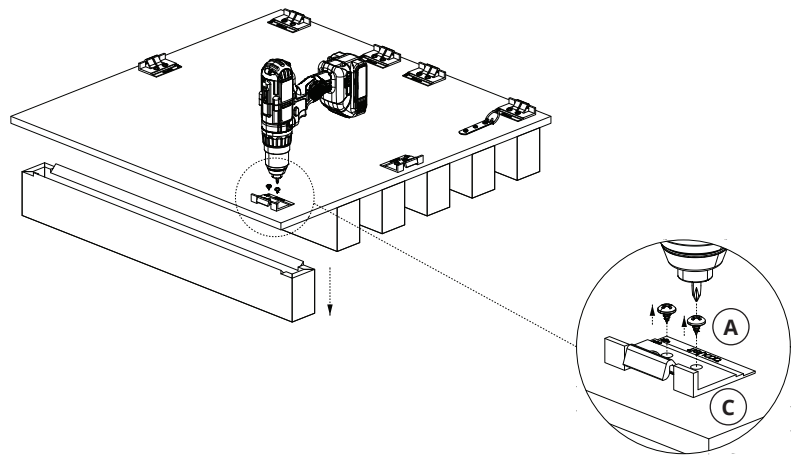
Straight edge

Utility knife



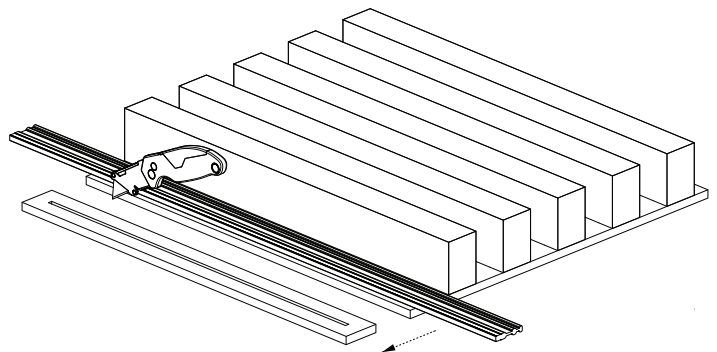
### Step 1: Remove conflicting slats

Before scribing, estimate how many slats need to be removed based on the obstructions the frame must accommodate, and then detach slats. The slats can be easily reattached later. Then, measure and mark the scribing location on the back of the frame. If any T-grid panel clips or the strap hanger are in the scribing area, remove them using a drill and set it aside.



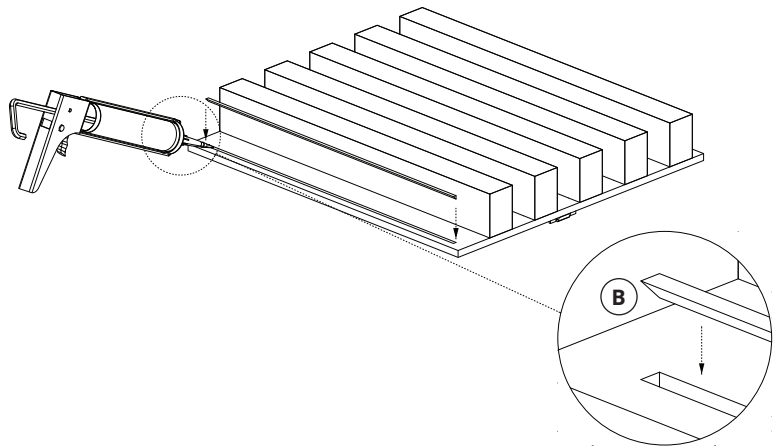
### Step 2: Measure and scribe

Measure and mark the scribing location on the back of the frame. Using a sharp utility knife and a straight edge, carefully score the tile to the desired length.



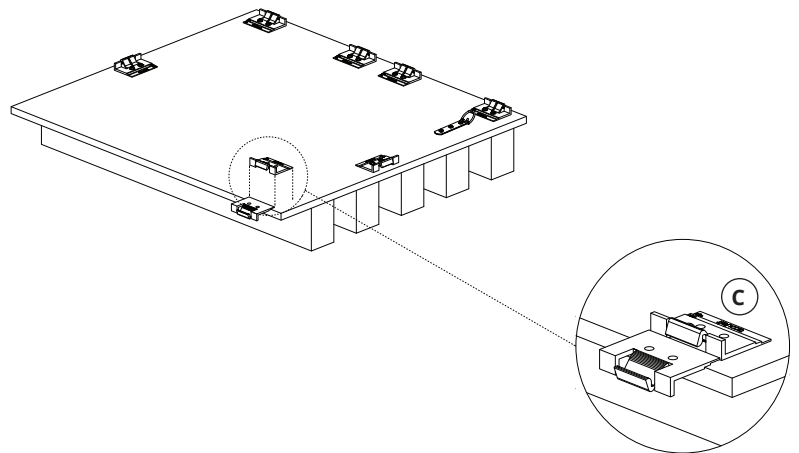
### Step 3: Glue felt strips (if provided)

If felt strips were provided, apply glue on the inside of the exposed gap on the backer where the conflicting slat was removed. Press the felt strip into place, making sure it fully fills the gap and aligns cleanly on the backer.



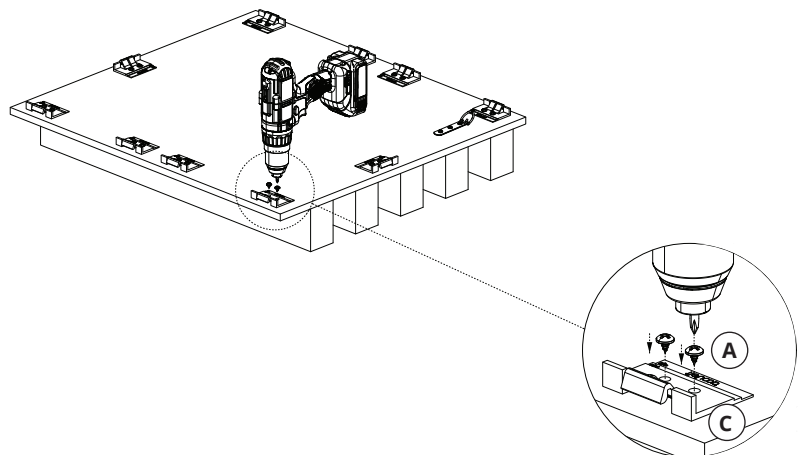
### Step 4: Measure with clips

Use an extra clip as a measuring guide to set the correct placement from the frame's edge. Flip the clip over and align it with the edge of the backer. The molded markings, 15/16" and 9/16", indicate the two compatible T-grid sizes. Select the appropriate marking for your installation, then use that reference point to position your actual clip before drilling it into place.



### Step 5: Reattach clips

Secure each clip using the provided #6 x 1/4" screws. Do not overtighten, as this may damage the clip or backer. Repeat this process for all required clips to ensure proper support for the tile. If the strap hanger was removed during the scribing process, it should also be reattached at this time within 4" of the frame's edge.



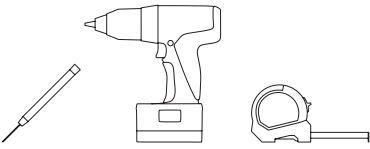
# 1 Drop Pendant

## TOOLS

Construction marker

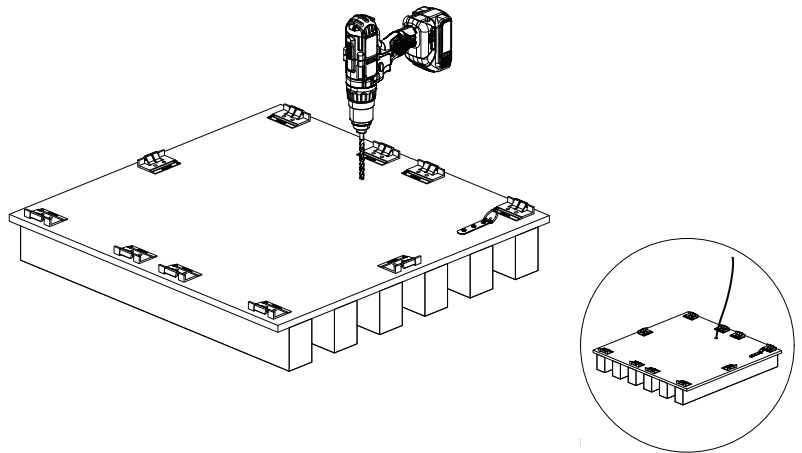
Measuring tape

Drill



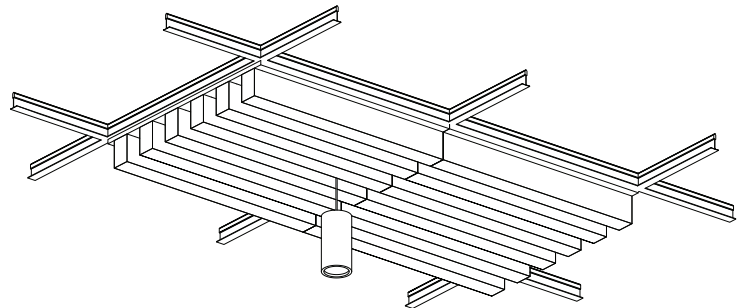
## Step 1: Measure and drill openings

Measure and mark the location of pendant light stems or cords on the frame, positioning them between slats. Drill through the frame from the top side of the tile. All lighting must be independently suspended to avoid compromising the integrity of the product.



## Step 2: Thread lights through frames

Thread the light stems or cords through the drilled openings, and proceed with installing the frame per standard instructions. Then continue to install the lighting according to the lighting manufacturer's guidelines.



## 2 Recessed Lighting

Recessed lighting frames should come without slats.

### TOOLS

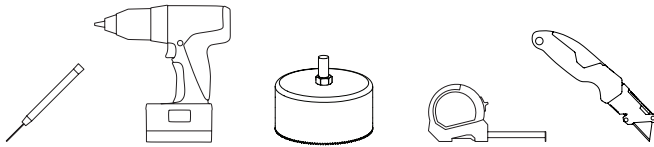
Construction marker

Measuring tape

Drill

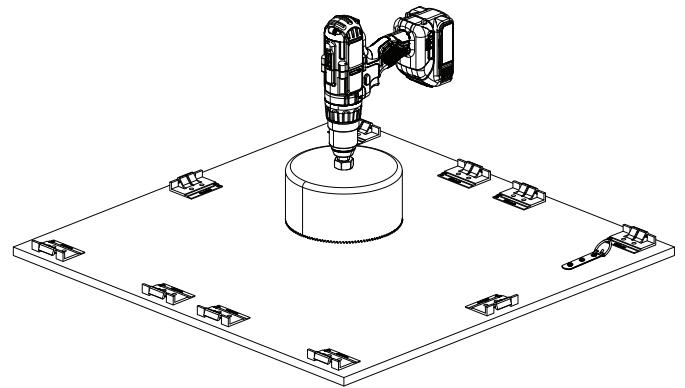
Utility knife

Hole saw



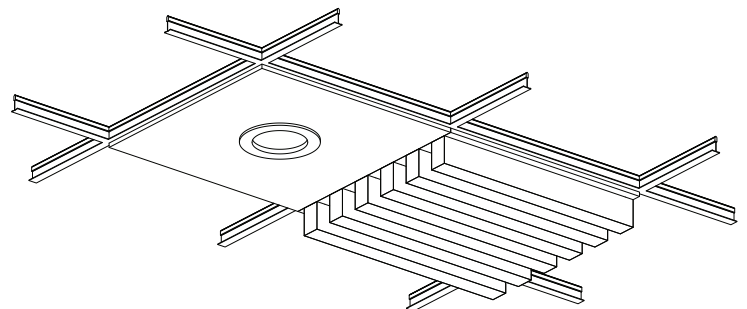
### Step 1: Measure and drill openings

Measure and mark the location of the recessed light on the back of the frame backer. Use a sharp utility knife or hole saw to cut an opening to the required size.



### Step 2: Thread lights through frames

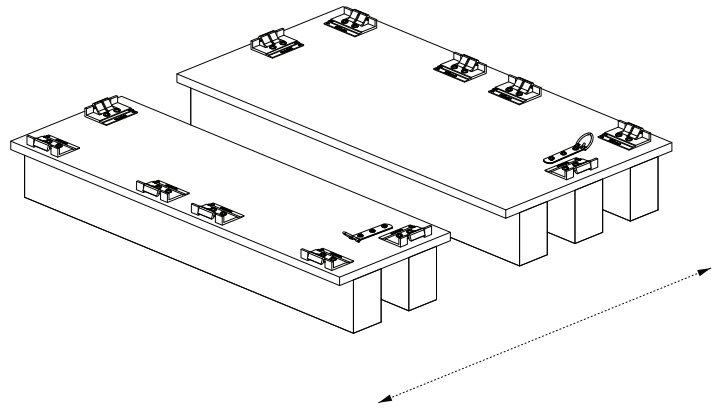
All lighting must be independently suspended to avoid compromising the integrity of the product. Proceed with installing the frame per standard instructions.



## 3 Grid Mounted Lighting

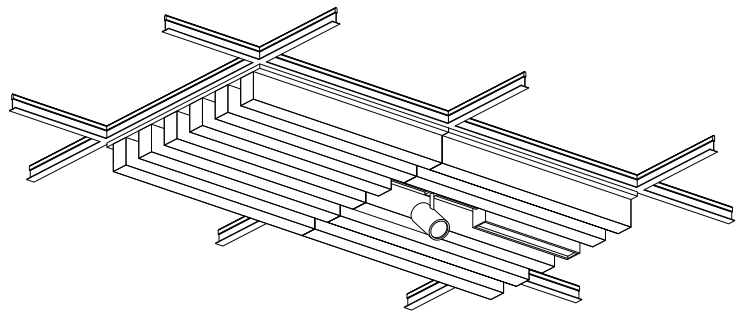
### Step 1: Scribe frame

Based on the location of the lighting, whether it conflicts with slats, runs parallel, or perpendicular, refer to the appropriate method in the field scribing section. Ensure each frame has the correct number of clips for secure attachment to the T-grid. Confirm that all frame pieces have strap hangers installed on the backer for the safety cable attachment.



### Step 2: Mount scribed frames

Once lighting is installed, mount the modified frames using the standard installation method.



# 4 Fire Suppression System

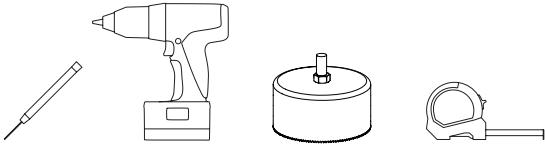
## TOOLS

Construction marker

Hole saw

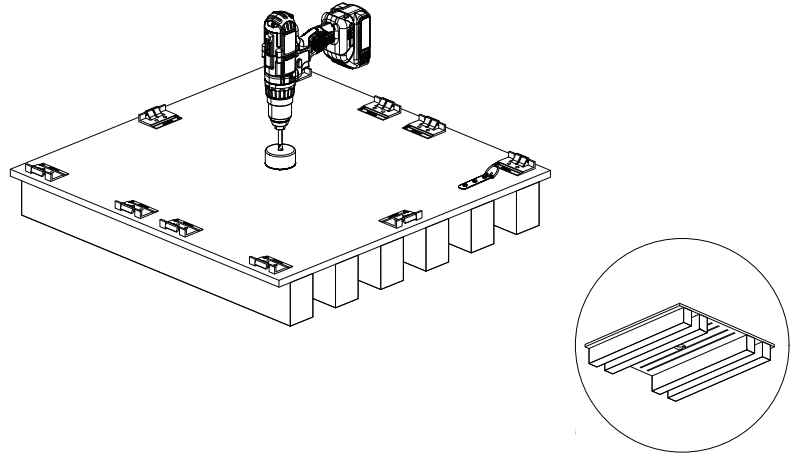
Drill

Measuring tape



## Step 1: Measure and drill openings

Measure and mark the location of the sprinkler head on the back of the frame. Remove any conflicting slats. Drill through the frame from the top side of the frame using an appropriately sized hole saw.



## Step 2: Install sprinklers and frame

Install sprinkler assemblies according to the manufacturer's instructions. Sprinklers must be independently suspended to avoid compromising the frames. Then follow standard frames installation steps.

