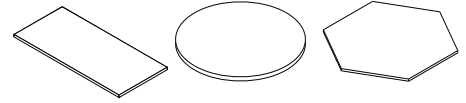


Ceiling Clouds Installation Guide

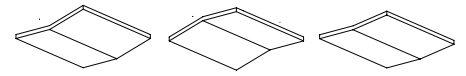
Premier, Essentials, Naturals,
WoodGrain Collections

L-channel Connection

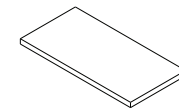
FOR THESE PRODUCTS:



- Canopy
- Circle
- Hexagon



- Rooftop, Butterfly
- Rooftop, Gable
- Rooftop, Saltbox

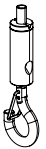


- Rectangle

FOR THESE MOUNTING METHODS:

Snap Hook

- Cable to Deck
- Cable to T-grid
- Cable to Strut Channel
- Cable



Loop Gripper

- Cable to Deck
- Cable to T-grid
- Cable to Strut Channel
- Cable

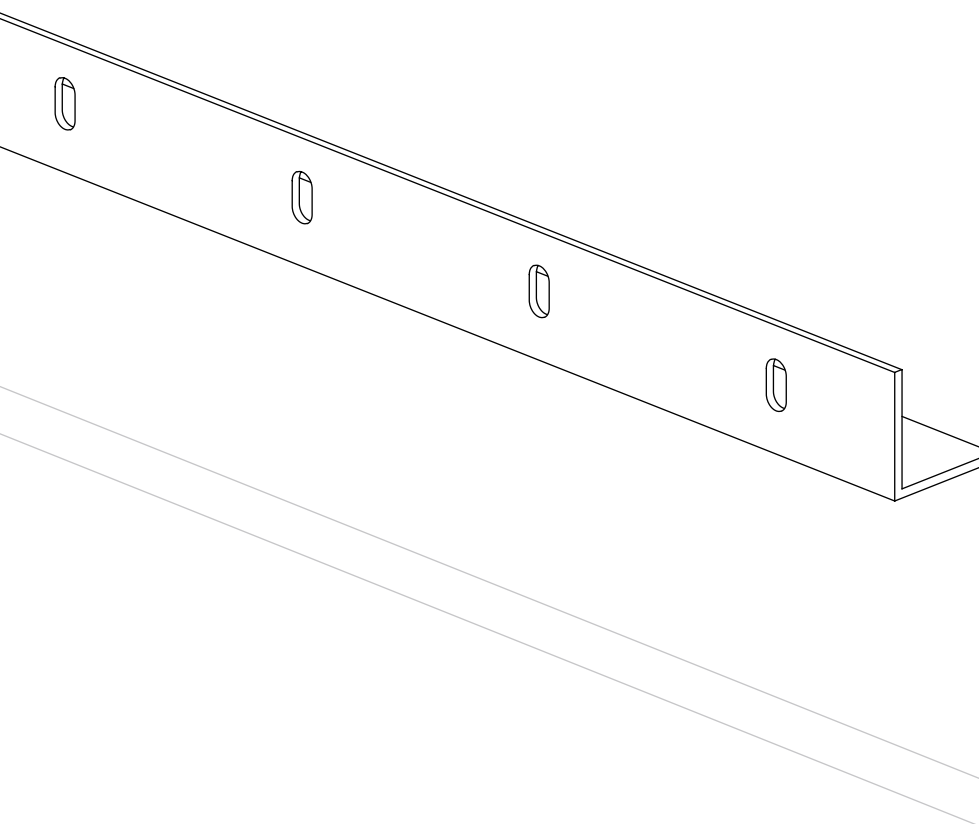


Table of Contents

Introduction.....	03
Hardware	04
Ceiling Mounting Methods	
1. Snap Hook Cable to Deck.....	05
2. Snap Hook Cable to T-grid	08
3. Snap Hook Cable to Strut Channel.....	11
4. Snap Hook Cable	14
5. Loop Gripper Cable to Deck.....	16
6. Loop Gripper Cable to T-grid	19
7. Loop Gripper Cable to Strut Channel	22
8. Loop Gripper Cable	26



For questions or additional product information,
visit [acoufelt.com](https://www.acoufelt.com) or call **800.966.8557**.

Cloud L-channel Instructions | June 2025

Introduction

Acoufelt's ceiling clouds offer both acoustic performance and aesthetic appeal, enhancing a wide variety of spaces. This guide provides step-by-step instructions for installing clouds using an L-channel system, ensuring a secure and seamless installation no matter the setting. Carefully follow these guidelines to achieve optimal results while maintaining the integrity of the design and structure.

Important Notes

When installing Acoufelt clouds, consult with other relevant trades to ensure that the hanging clouds will not interfere with the performance of any other systems within the installation space.

Verify that all Acoufelt clouds are installed in the correct orientation as indicated in the Acoufelt print and installation plan to maintain consistency and avoid variations that could impact the overall appearance of the finished installation.

Carefully evaluate structural conditions, project load, and load requirements to determine the appropriate anchoring solutions needed for a secure and stable installation.

Assembly notes and warnings:

Read and follow all instructions carefully before beginning the installation and retain these instructions for future reference. Failure to adhere to these guidelines may result in improper installation, which could compromise the safety, functionality, or aesthetic quality of the finished project. Ensure all components are properly assembled and secured according to the installation plan and follow workplace safety standards while using appropriate personal protective equipment during installation.

Disclaimer

Acoufelt strives to fulfill the needs of their customers by producing the highest quality felt products; however, due to the fine, fibrous, and textural nature of the product, slight visual imperfections may be seen when viewing the product from less than 3 to 5 feet. These slight visual imperfections are within a normal manufacturing industry tolerance and do not affect the product's performance or durability.

Consult local building codes and/or a fire engineer to determine the proper locations for any clouds in relation to any fire suppression system located with the installation space.

Installation Tolerances

Variation of cloud dimensions $\pm [1/16" (1.6mm)]$
in 110" (2800mm), noncumulative

Variation of cloud thickness $\pm [10\%]$ in 12mm
thickness, noncumulative

Setup and Unpacking

Product shall be stored in a dry interior location and shall remain in boxes prior to installation to avoid damage. The boxes shall be stored in crated orientation and not stacked with any added weight. Proper care should be taken when handling to avoid damage or soiling.

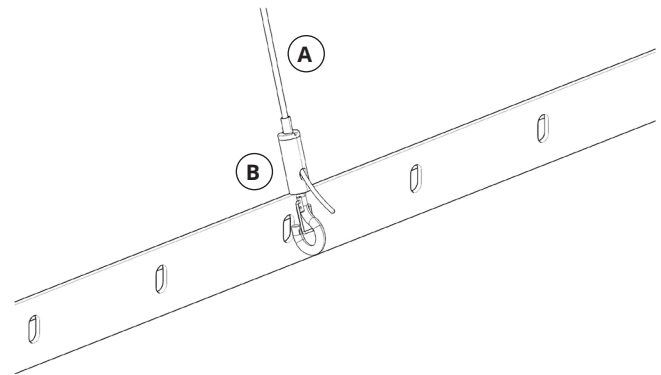
Product containers should only be opened in a clean area, free of construction dust. Wearing clean, cloth gloves, carefully remove the components from the packing materials. Verify all items listed on the packing list are included.

Inspect products after opening. If products appear to be damaged or defective on visual inspection, do not install and contact your Acoufelt representative immediately.

Using the Instructions

Begin by locating your ceiling mounting method in the table of contents (on the previous page), then refer to its corresponding page in the document.

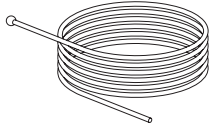
Each mounting method includes a list of required tools (provided by the installer) and parts. Each part will be labeled with a corresponding letter, which will serve as a guide through the mounting method steps and drawings (see example below).



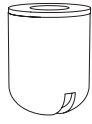
Hardware



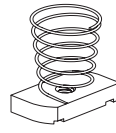
#6 x 1/2" Screw



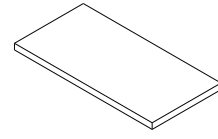
3/64" Aircraft cable



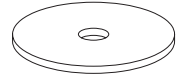
Cable coupler



Channel nut



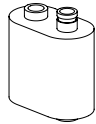
Cloud



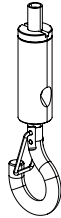
Flat washer



Hex nut



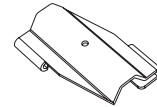
Loop gripper



Snap hook



Socket head screw

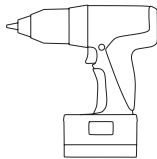


Twist lock

Tools



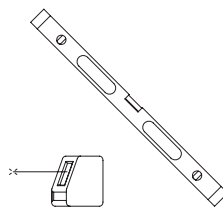
Construction marker



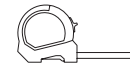
Drill



Hex head wrench



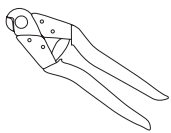
Laser level/level



Measuring tape



Safety glasses



Wire rope cutter



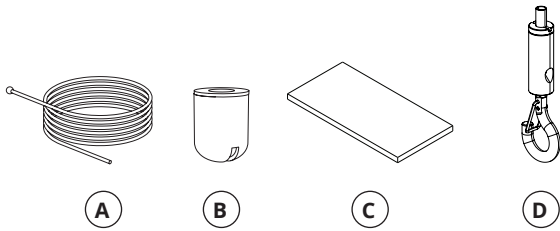
For questions or additional product information, visit acoufelt.com or call 800.966.8557.

Cloud L-channel Instructions | June 2025

1 Snap Hook Cable to Deck

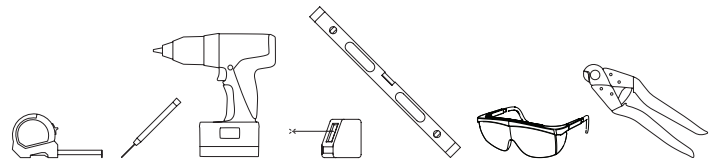
PARTS LIST*

- | | |
|-------------------------|--------------|
| A. 3/64" Aircraft cable | C. Cloud |
| B. Cable coupler | D. Snap hook |
- *Quantities will vary*



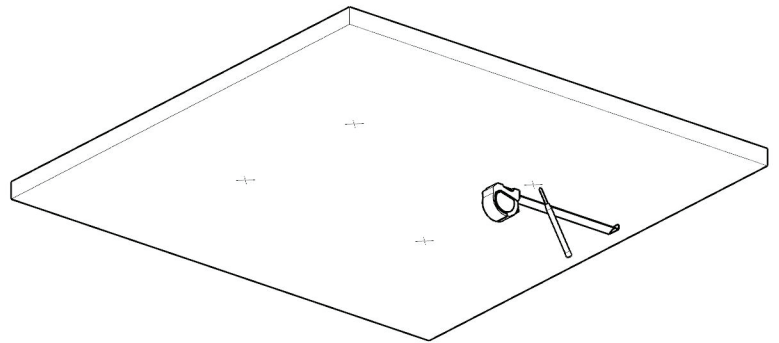
TOOLS

- | | |
|---------------------|-------------------|
| Measuring tape | Laser Level/level |
| Construction marker | Safety glasses |
| Drill | Wire rope cutter |



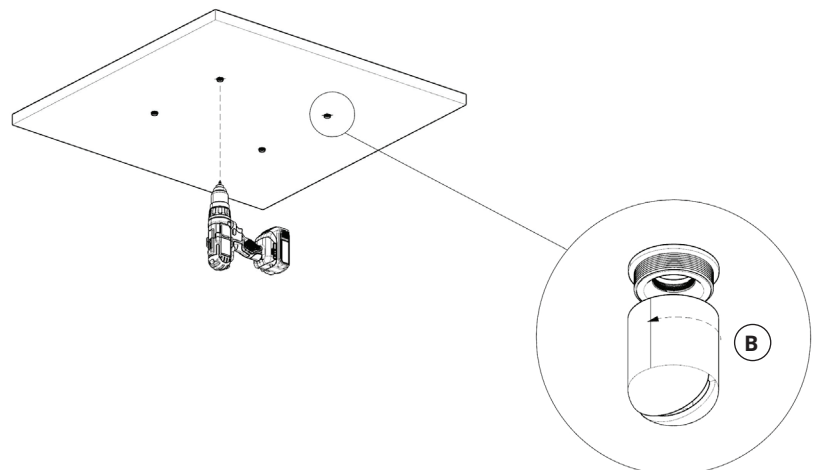
Step 1: Mark connection points

Use a measuring tape or laser level and a construction marker to measure and mark the desired deck connection location. If project-specific installation drawings have been provided, reference the connection layout to ensure proper placement/ mounting locations.



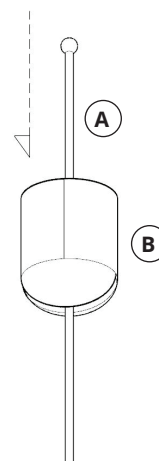
Step 2: Prepare the cable coupler

Remove the screw nut from the cable coupler. Keep the coupler barrel accessible. Next, drill a hole into the deck, and secure the screw nut with an appropriate anchor or screw. **NOTE: Consult a structural engineer to determine the appropriate anchors or screws for specified mounting surface/substrate.**



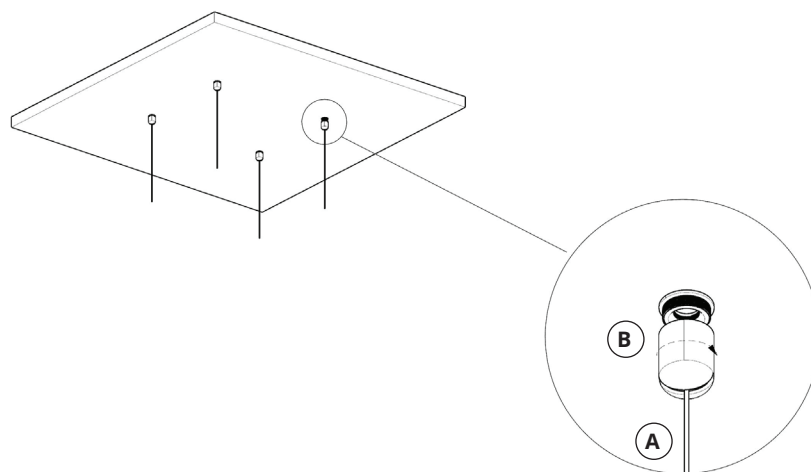
Step 3: Securing aircraft cable

Insert the aircraft cable into the bottom of the coupler barrel and ensure the aircraft cable feeds through fully so the ball stop rests securely inside the cable coupler.



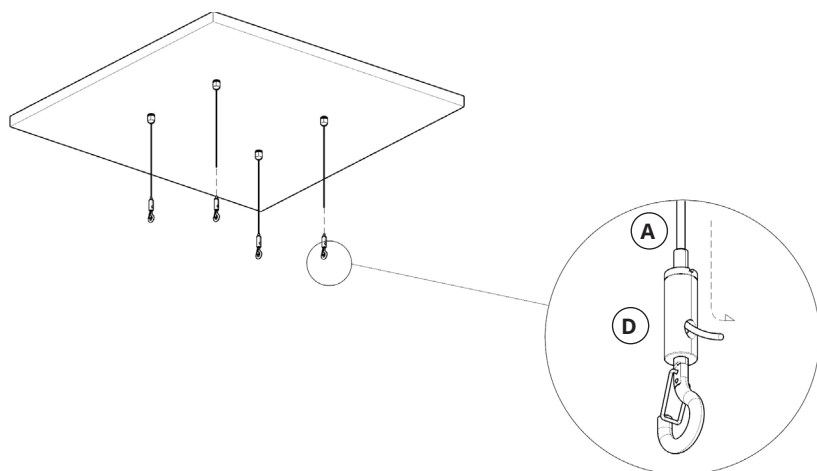
Step 4: Thread coupler barrel

Thread the coupler barrel back onto the screw nut, ensuring it is properly and securely attached.



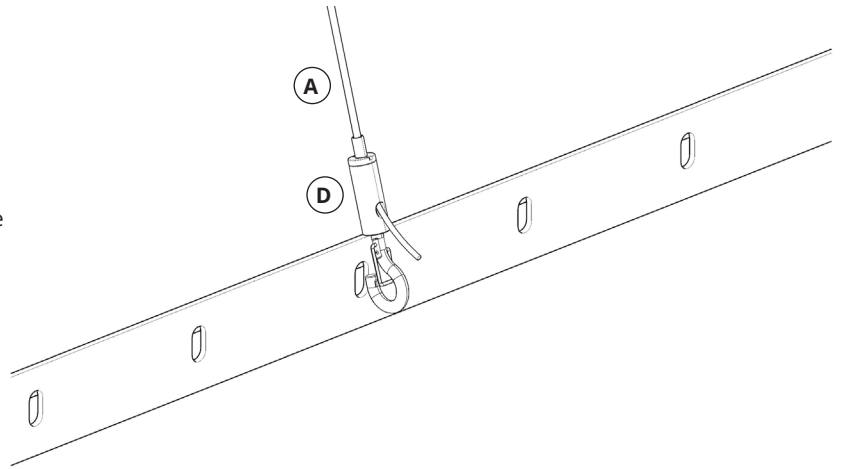
Step 5: Insert aircraft cable into snap hook

Insert the aircraft cable into the snap hook. Ensure the aircraft cable is correctly inserted by verifying that its end exits through the hole on the side of the snap hook. This step should occur after the aircraft cable has been connected to the ceiling.



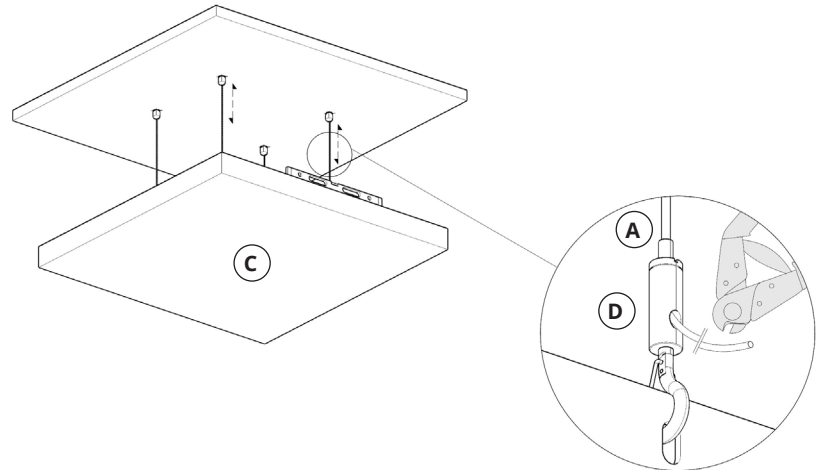
Step 6: Attach snap hook to L-channel

To secure the snap hook to the L-channel, press on the spring gate of the gripper and hook around the designated hole on the L-channel. Ensure the snap hook is fully connected to the L-channel by checking that the spring gate is closed. If project-specific shop drawings are available, refer to them to determine which L-channel holes should be used for connection.



Step 7: Adjust aircraft cable length

Use the plunger on the snap hook to adjust the length of the aircraft cable, setting the clouds to the desired height. Utilize a laser level or level to ensure all clouds are level and meet the specified design height. Once the clouds are properly positioned and level, trim the excess aircraft cable.



2 Snap Hook Cable to T-grid

Our cable to T-grid mounting method is only compatible with 15/16" flat T-grids.

PARTS LIST*

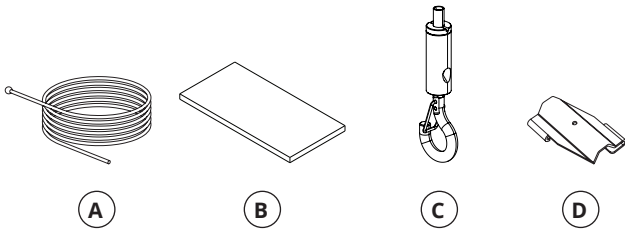
A. 3/64" Aircraft cable

B. Cloud

C. Snap hook

D. Twist lock

*Quantities will vary



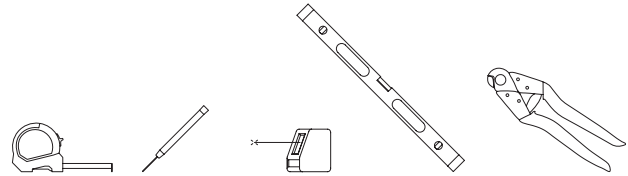
TOOLS

Measuring tape

Construction marker

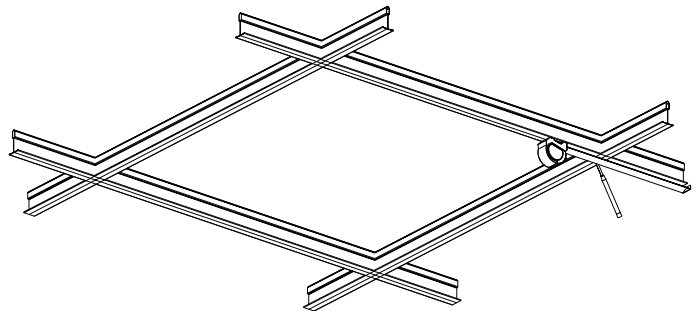
Laser level/level

Wire rope cutter



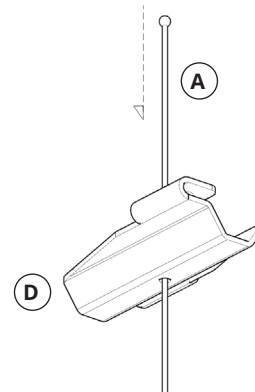
Step 1: Mark connection points

Use a measuring tape or laser level and a construction marker to measure and mark the desired T-grid connection location. If project-specific installation drawings have been provided, reference the connection layout to ensure proper placement/ mounting locations.



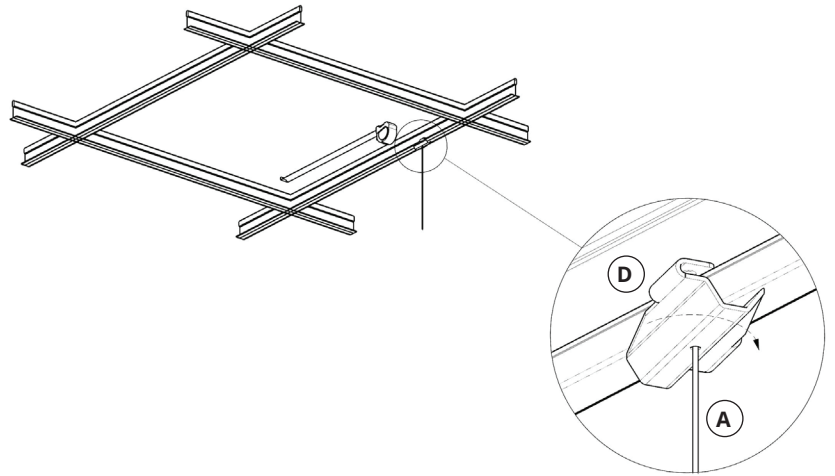
Step 2: Thread the aircraft cable

Thread the aircraft cable through the circular opening on the twist lock until the ball at the end of the aircraft cable catches and can't move any further. Ensure the orientation of the twist lock matches the image on the right.



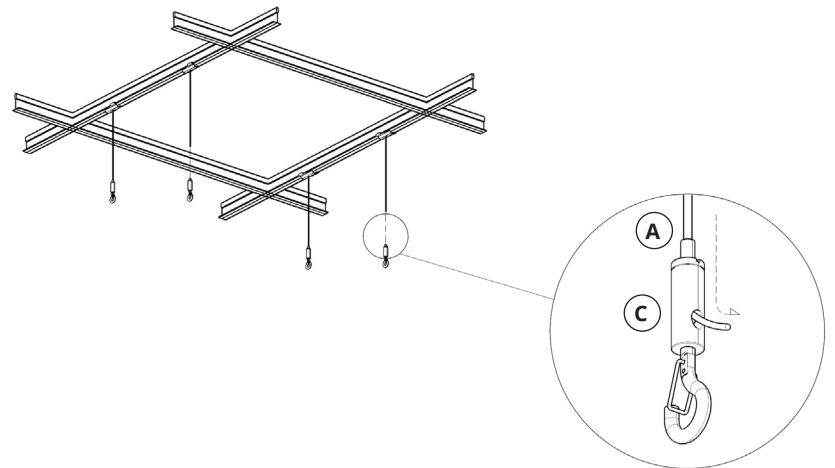
Step 3: Attach the twist lock clip

Measure attachment locations on the T-grid based on provided drawings. Attach the twist lock clip to the T-grid by turning it until it snaps in place. Verify the clip is fully secure on both sides of the T-grid.



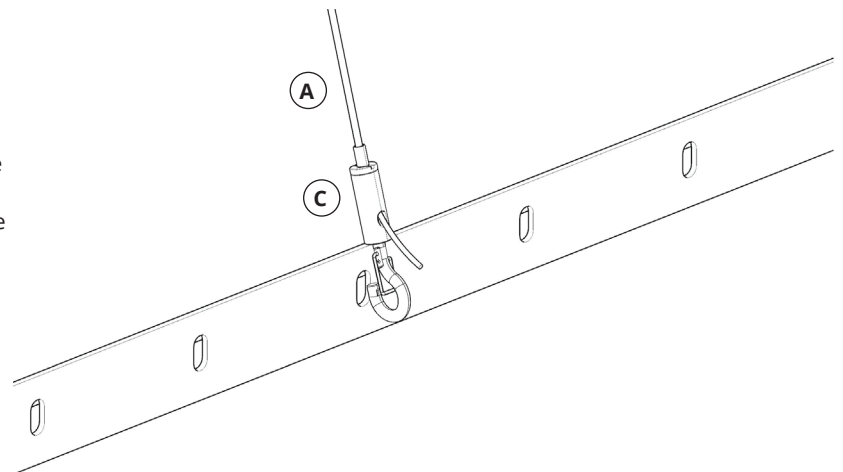
Step 4: Insert aircraft cable into snap hook

Insert the aircraft cable into the snap hook. Ensure the aircraft cable is correctly inserted by verifying that its end exits through the hole on the side of the snap hook. This step should occur after the aircraft cable has been connected to the ceiling.



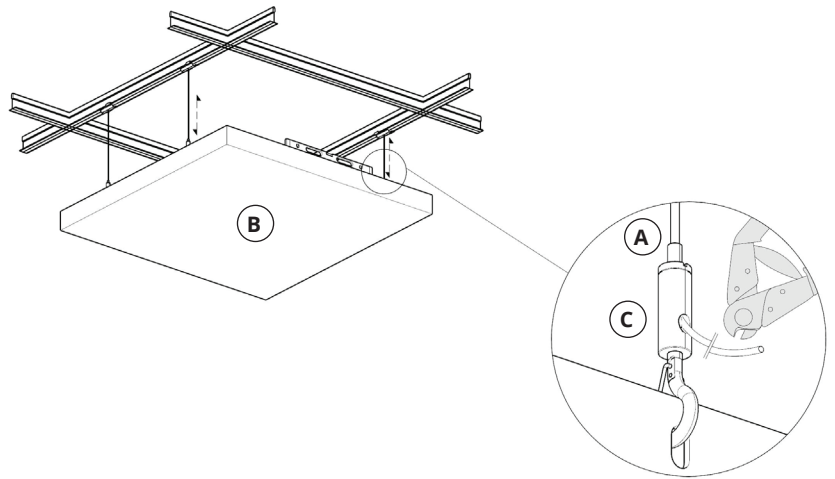
Step 5: Attach snap hook to L-channel

To secure the snap hook to the L-channel, press on the spring gate of the gripper and hook around the designated hole on the L-channel. Ensure the snap hook is fully connected to the L-channel by checking that the spring gate is closed. If project-specific shop drawings are available, refer to them to determine which L-channel holes should be used for connection.



Step 6: Adjust aircraft cable length

Use the plunger on the snap hook to adjust the length of the aircraft cable, setting the clouds to the desired height. Utilize a laser level or level to ensure all clouds are level and meet the specified design height. Once the clouds are properly positioned and level, trim the excess aircraft cable.

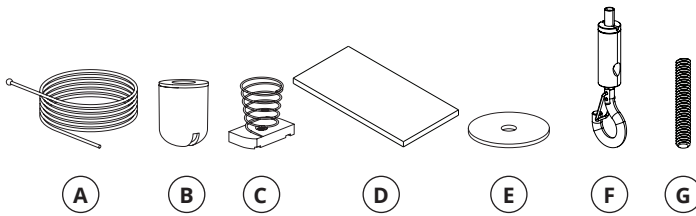


3 Snap Hook Cable to Strut Channel

Our cable to strut channel mounting method is compatible with P1000 and P3300 Unistrut profiles.

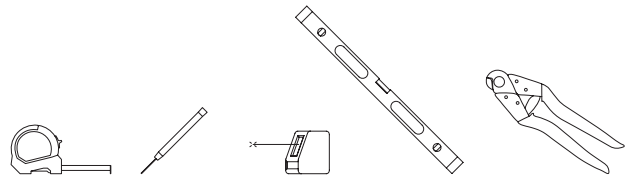
PARTS LIST*

- | | |
|-------------------------|------------------------------|
| A. 3/64" Aircraft cable | E. Flat washer |
| B. Cable coupler | F. Snap hook |
| C. Channel nut | G. Threaded stud |
| D. Cloud | <i>*Quantities will vary</i> |



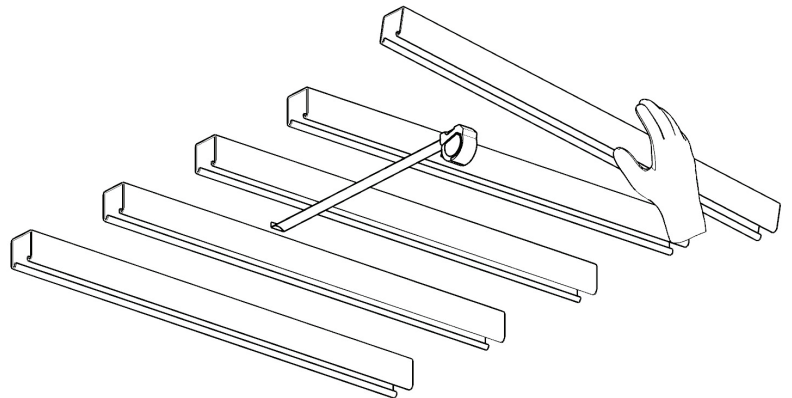
TOOLS

- | | |
|---------------------|-------------------|
| Measuring tape | Laser level/level |
| Construction marker | Wire rope cutter |



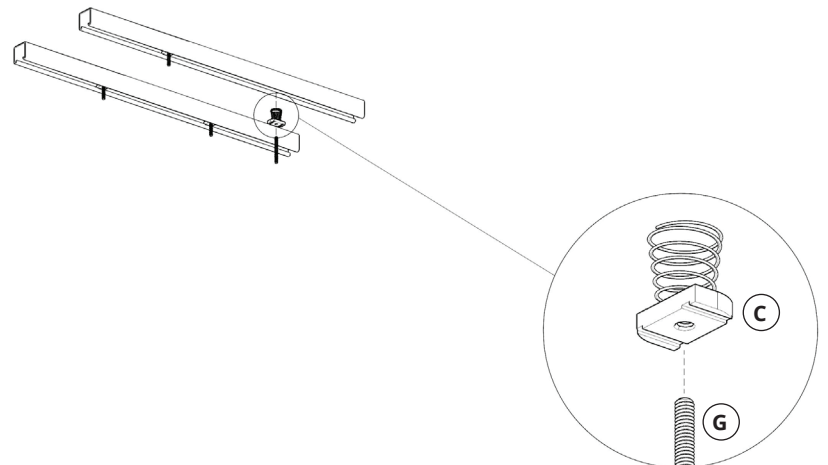
Step 1: Strut channel layout and installation

Layout the strut channels according to the installation drawing provided by Acoufelt or based on the desired spacing. If an installation drawing is available, start at the designated point in the drawing. Use a measuring tape to ensure accurate spacing between strut channels. Follow the strut channel manufacturer's recommendations and instructions for proper installation.



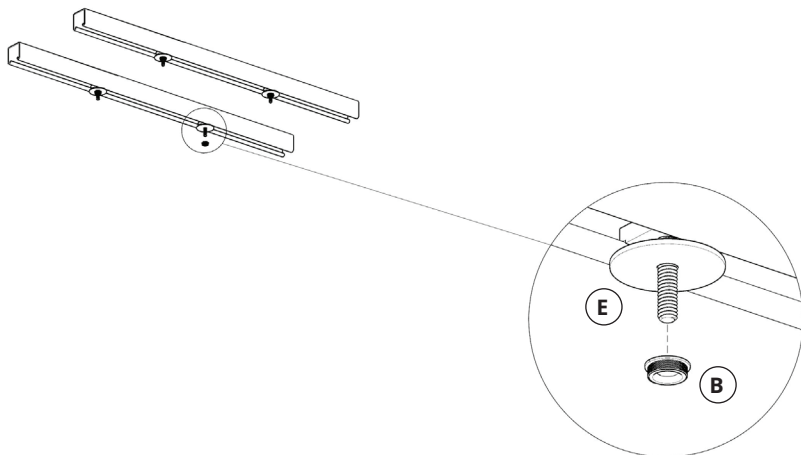
Step 2: Hardware layout and installation

Measure from the center of the specified starting point and mark the hardware connection locations on the strut channel. Insert the threaded stud into channel nuts and then insert the channel nut into the strut channel at the marked locations. Make sure the grooves in the channel nut sit on top of the rails of the strut channel.



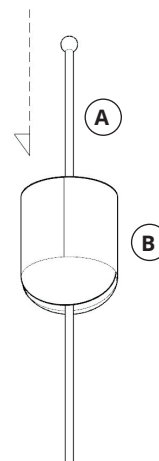
Step 3: Attach washer and screw nut

Remove the screw nut from the cable coupler and keep it accessible. Place the flat washer onto threaded stud and fasten the washer tightly with the screw nut. Confirm the washer and screw nut are securely in place on the threaded stud.



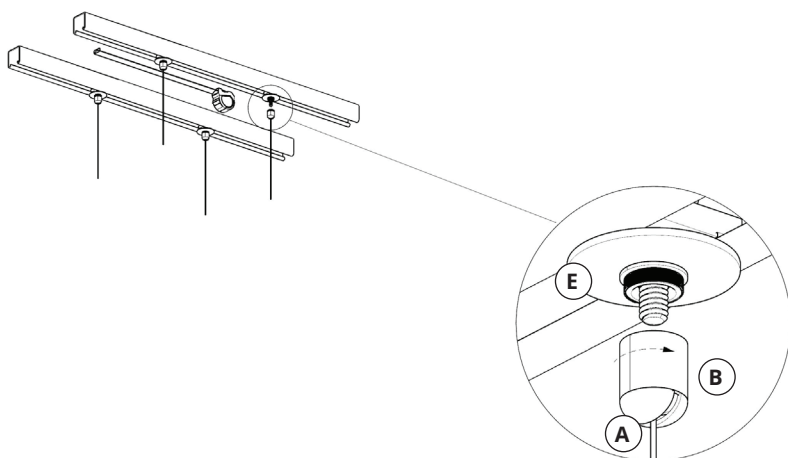
Step 4: Thread the aircraft cable

Thread the aircraft cable through the opening on the coupler barrel until the ball at the end of the aircraft cable catches and can't move any further.



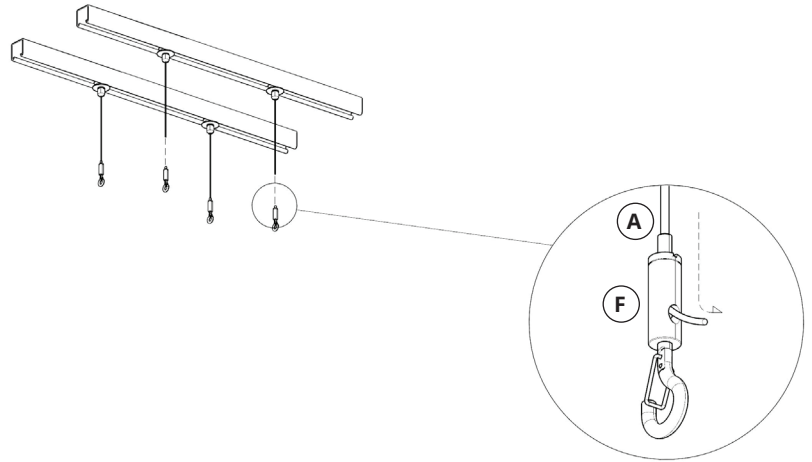
Step 5: Attach coupler barrel to strut channel

Twist the coupler barrel clockwise onto the threaded stud until it is securely attached to the strut channel.



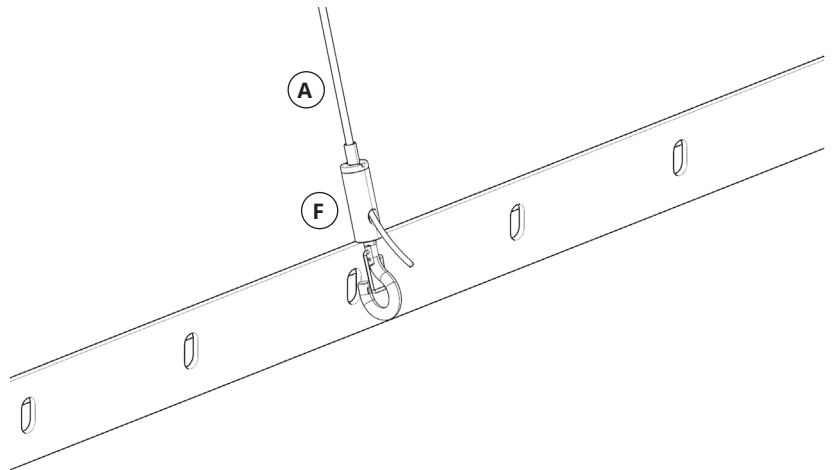
Step 6: Insert aircraft cable into snap hook

Insert the aircraft cable into the snap hook. Ensure the aircraft cable is correctly inserted by verifying that its end exits through the hole on the side of the snap hook. This step should occur after the aircraft cable has been connected to the ceiling.



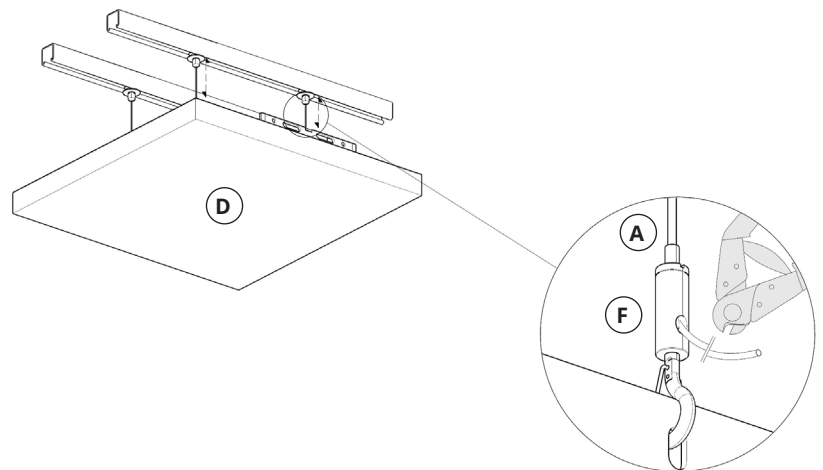
Step 7: Attach snap hook to L-channel

To secure the snap hook to the L-channel, press on the spring gate of the gripper and hook around the designated hole on the L-channel. Ensure the snap hook is fully connected to the L-channel by checking that the spring gate is closed. If project-specific shop drawings are available, refer to them to determine which L-channel holes should be used for connection.



Step 8: Adjust aircraft cable length

Use the plunger on the snap hook to adjust the length of the aircraft cable, setting the clouds to the desired height. Utilize a laser level or level to ensure all clouds are level and meet the specified design height. Once the clouds are properly positioned and level, trim the excess aircraft cable.



4 Snap Hook Cable Only

PARTS LIST*

A. 3/64" Aircraft cable

B. Cloud

C. Snap hook

**Quantities will vary*

TOOLS

Measuring tape

Construction marker

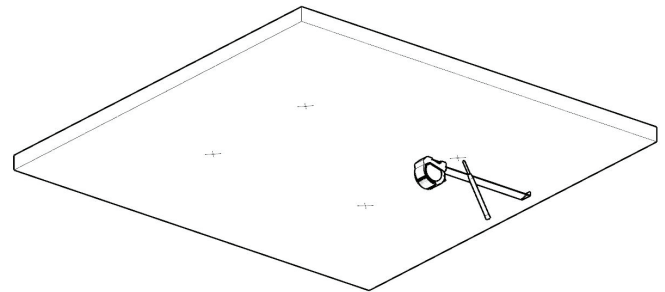
Laser level/level

Wire rope cutter



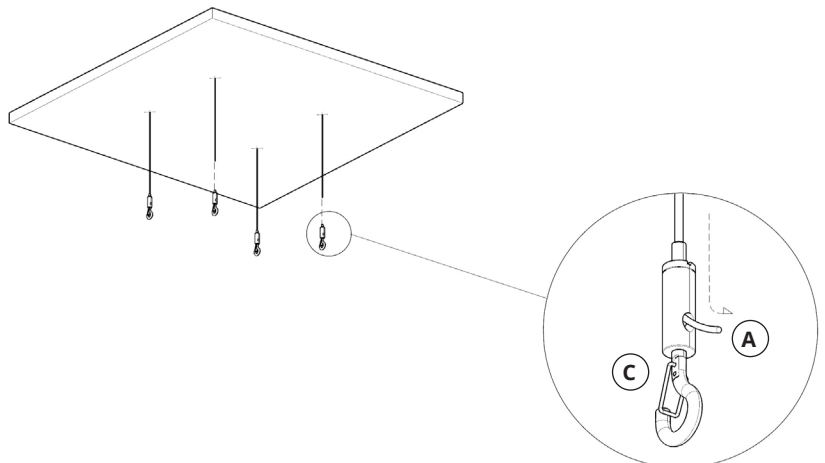
Step 1: Mark connection points and attach to ceiling

Use a measuring tape or laser level and a construction marker to measure and mark the desired ceiling connection location. If layout drawings are provided, reference them to ensure proper placement. Attach aircraft cables to your preferred ceiling mounting hardware (not provided by Acoufelt).



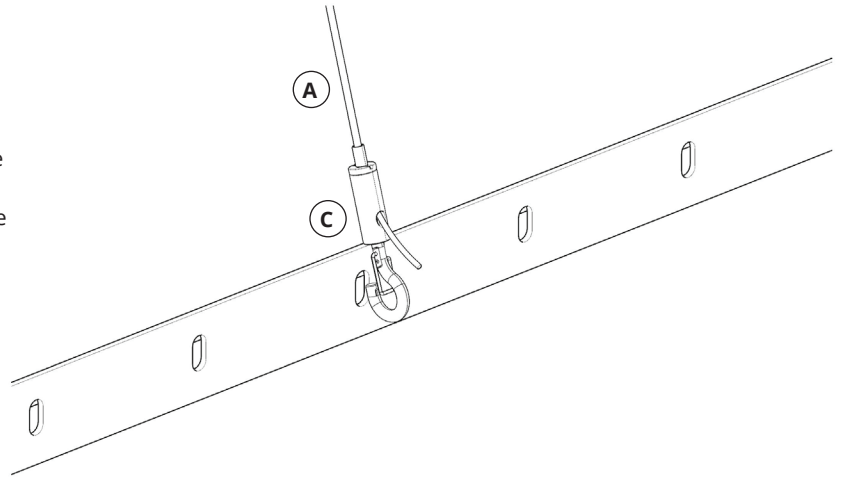
Step 2: Insert aircraft cable into snap hook

Insert the aircraft cable into the snap hook. Ensure the aircraft cable is correctly inserted by verifying that its end exits through the hole on the side of the snap hook. This step should occur after the aircraft cable has been connected to the ceiling.



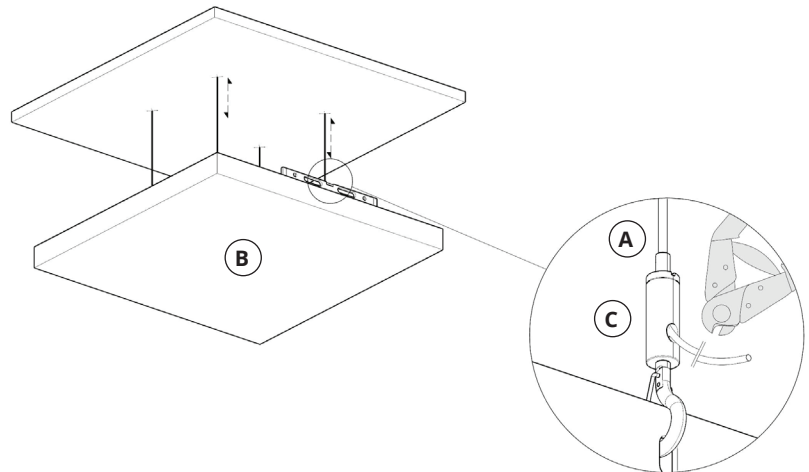
Step 3: Attach snap hook to L-channel

To secure the snap hook to the L-channel, press on the spring gate of the gripper and hook around the designated hole on the L-channel. Ensure the snap hook is fully connected to the L-channel by checking that the spring gate is closed. If project-specific shop drawings are available, refer to them to determine which L-channel holes should be used for connection.



Step 4: Adjust aircraft cable length

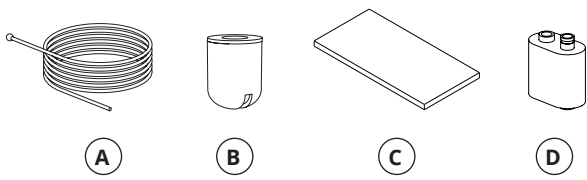
Use the plunger on the snap hook to adjust the length of the aircraft cable, setting the clouds to the desired height. Utilize a laser level or level to ensure all clouds are level and meet the specified design height. Once the clouds are properly positioned and level, trim the excess aircraft cable.



5 Loop Gripper Cable to Deck

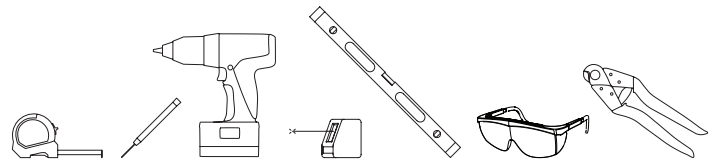
PARTS LIST*

- | | |
|-------------------------|-----------------|
| A. 3/64" Aircraft cable | C. Cloud |
| B. Cable coupler | D. Loop gripper |
- *Quantities will vary*



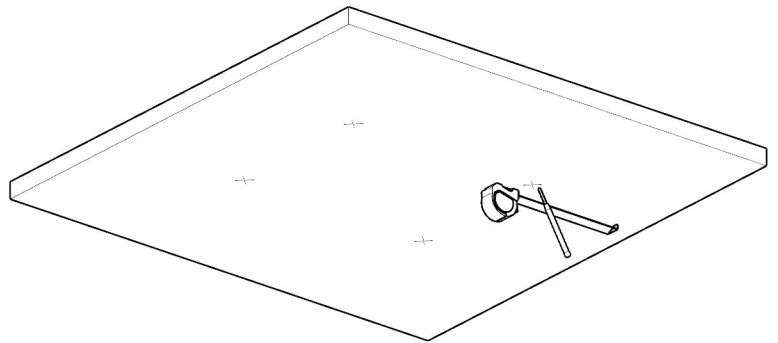
TOOLS

- | | |
|---------------------|-------------------|
| Measuring tape | Laser level/level |
| Construction marker | Safety glasses |
| Drill | Wire rope cutter |



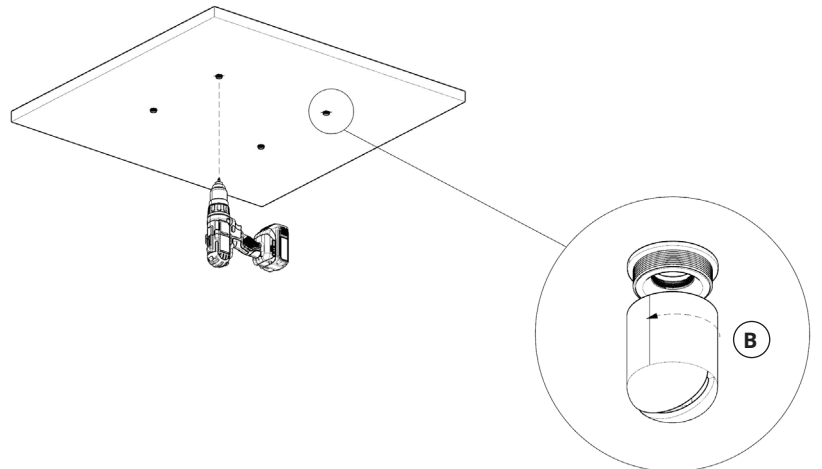
Step 1: Mark connection points

Use a measuring tape or laser level and a construction marker to measure and mark the desired deck connection location. If project-specific installation drawings have been provided, reference the connection layout to ensure proper placement/ mounting locations.



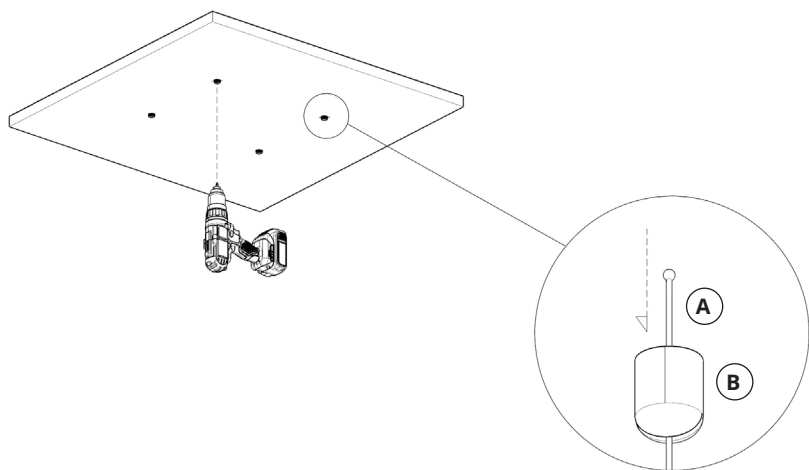
Step 2: Prepare the cable coupler

Remove the screw nut from the cable coupler. Keep the coupler barrel accessible. Next, drill a hole into the deck, and secure the screw nut with an appropriate anchor or screw. **NOTE: Consult a structural engineer to determine the appropriate anchors or screws for specified mounting surface/substrate.**



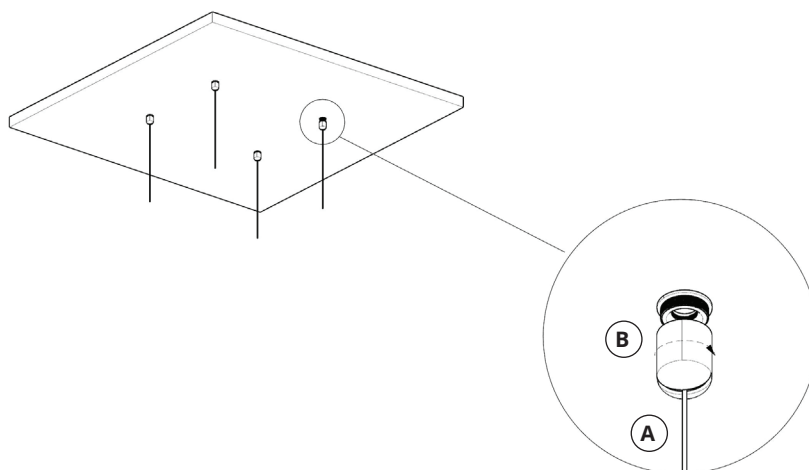
Step 3: Securing aircraft cable

Insert the aircraft cable into the bottom of the coupler barrel and ensure the aircraft cable feeds through fully so the ball stop rests securely inside the cable coupler.



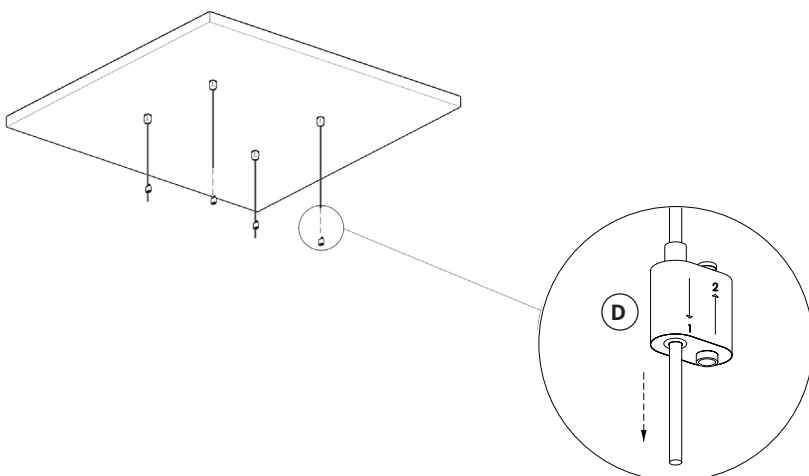
Step 4: Thread coupler barrel

Thread the coupler barrel back onto the screw nut, ensuring it is properly and securely attached.



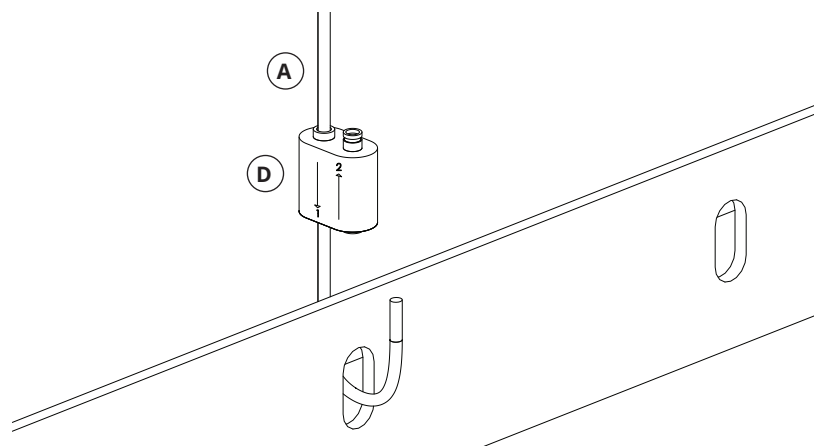
Step 5: Insert aircraft cable into loop gripper

Press down on the loop gripper plunger and insert the aircraft cable into the hole labeled 1. Ensure the aircraft cable is going the same direction as the arrow on the looper gripper and fully exits the hole at the bottom.



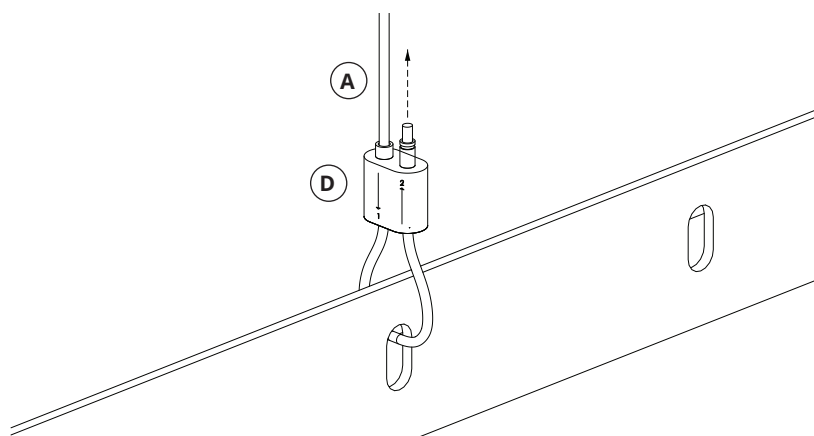
Step 6: Feed aircraft cable through L-channel

While holding the loop gripper, pull the aircraft cable through the designated L-channel hole. If project-specific shop drawings are available, refer to them to determine which L-channel holes should be used for connection.



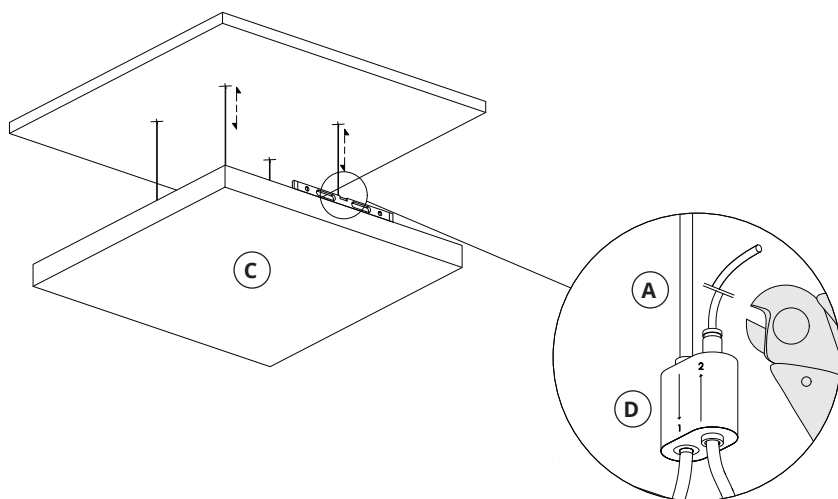
Step 7: Reinsert aircraft cable to loop gripper

Press down on the plunger labeled #2 and insert the aircraft cable through the loop gripper, following the direction of the arrow. Make sure the cable fully exits through the top side of the gripper.



Step 8: Adjust aircraft cable length

Using both plungers on the loop gripper, adjust the length of the aircraft cable, setting the clouds to the desired height. Utilize a laser level or level to ensure all clouds are level and meet the specified design height. Once the clouds are properly positioned and level, trim the excess aircraft cable.



6 Loop Gripper Cable to T-grid

Our cable to T-grid mounting method is only compatible with 15/16" flat T-grids.

PARTS LIST*

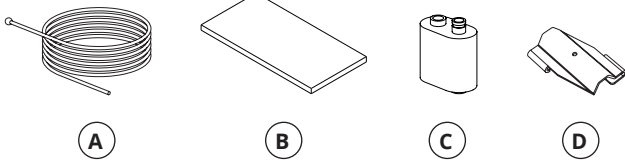
A. 3/64" Aircraft cable

B. Cloud

C. Loop gripper

D. Twist lock

*Quantities will vary



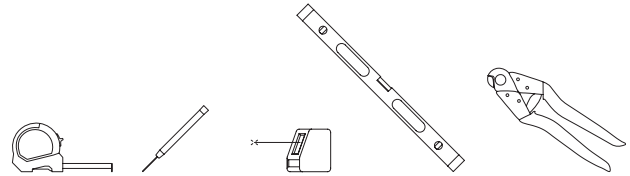
TOOLS

Measuring tape

Construction marker

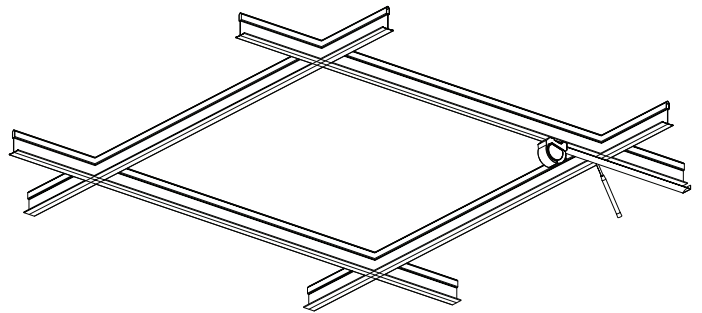
Laser level/level

Wire rope cutter



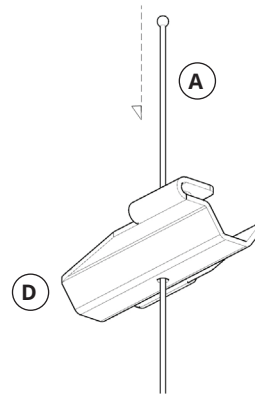
Step 1: Mark connection points

Use a measuring tape or laser level and a construction marker to measure and mark the desired T-grid connection location. If project-specific installation drawings have been provided, reference the connection layout to ensure proper placement/ mounting locations.



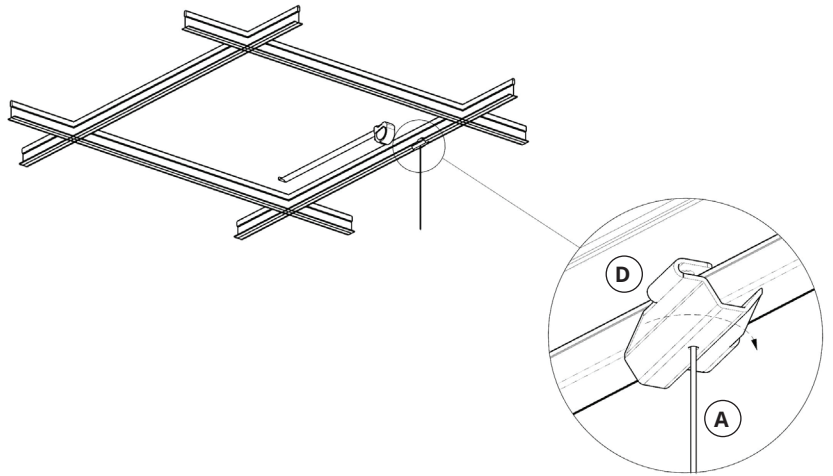
Step 2: Thread the aircraft cable

Thread the aircraft cable through the circular opening on the twist lock until the ball at the end of the aircraft cable catches and can't move any further. Ensure the orientation of the twist lock matches the image on the right.



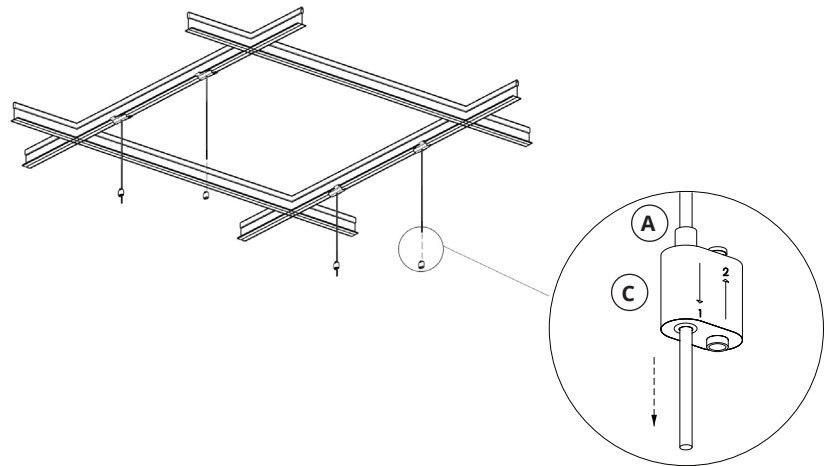
Step 3: Attach the twist lock clip

Measure attachment locations on the T-grid based on provided drawings. Attach the twist lock clip to the T-grid by turning it until it snaps in place. Verify the clip is fully secure on both sides of the T-grid.



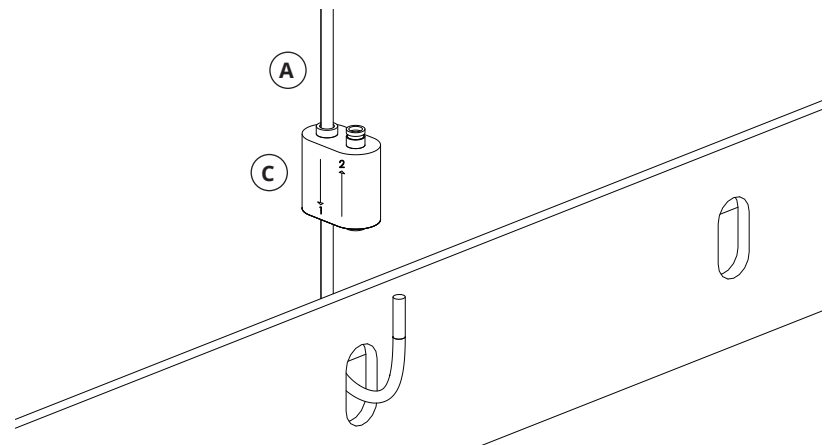
Step 4: Insert aircraft cable into loop gripper

Press down on the loop gripper plunger and insert the aircraft cable into the hole labeled 1. Ensure the aircraft cable is going the same direction as the arrow on the loop gripper and fully exits the hole at the bottom.



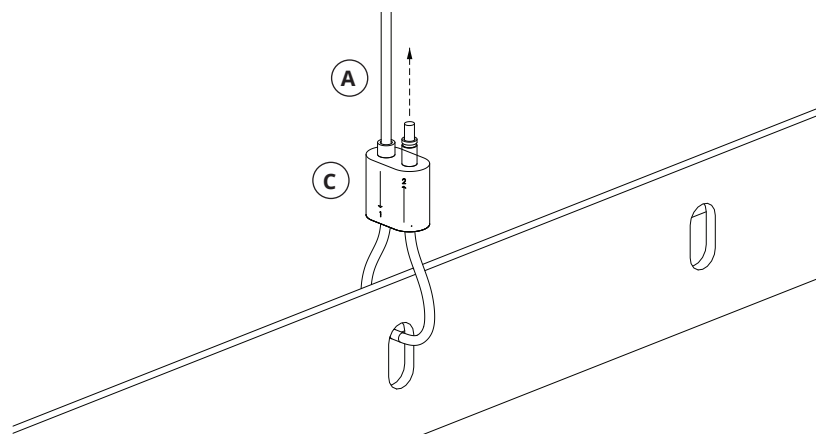
Step 5: Feed aircraft cable through L-channel

While holding the loop gripper, pull the aircraft cable through the designated L-channel hole. If project-specific shop drawings are available, refer to them to determine which L-channel holes should be used for connection.



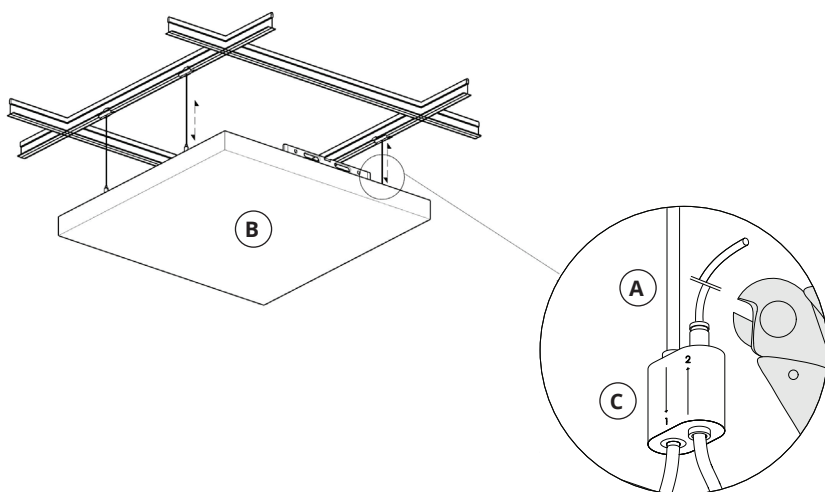
Step 6: Reinsert aircraft cable to loop gripper

Press down on the plunger labeled #2 and insert the aircraft cable through the loop gripper, following the direction of the arrow. Make sure the cable fully exits through the top side of the gripper.



Step 7: Adjust aircraft cable length

Using both plungers on the loop gripper, adjust the length of the aircraft cable, setting the clouds to the desired height. Utilize a laser level or level to ensure all clouds are level and meet the specified design height. Once the clouds are properly positioned and level, trim the excess aircraft cable.

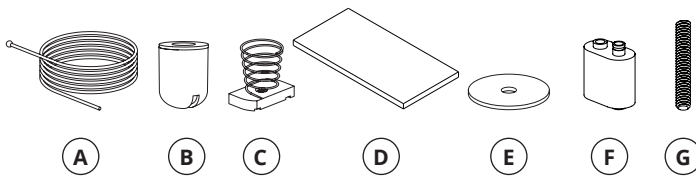


7 Loop Gripper Cable to Strut Channel

Our cable to strut channel mounting method is compatible with P1000 and P3300 Unistrut profiles.

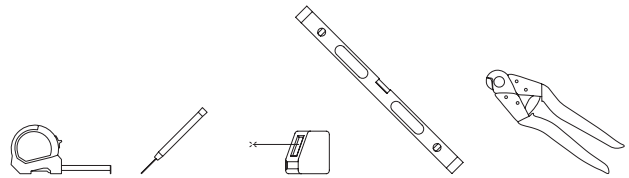
PARTS LIST*

A. 3/64" Aircraft cable	E. Flat washer
B. Cable coupler	F. Loop gripper
C. Channel nut	G. Threaded stud
D. Cloud	<i>*Quantities will vary</i>



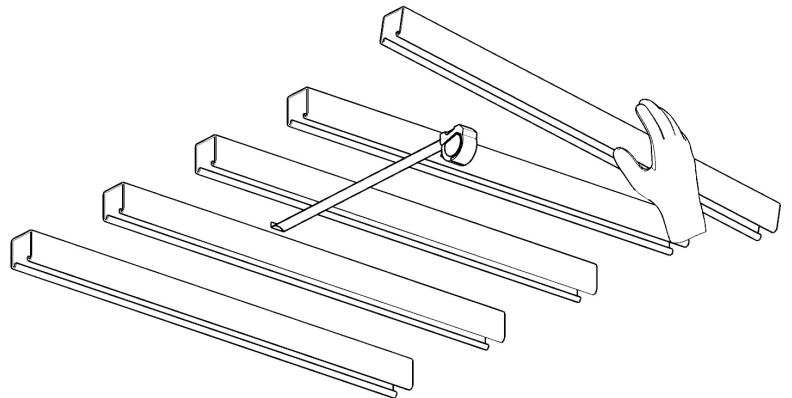
TOOLS

Measuring tape	Laser level/level
Construction marker	Wire rope cutter



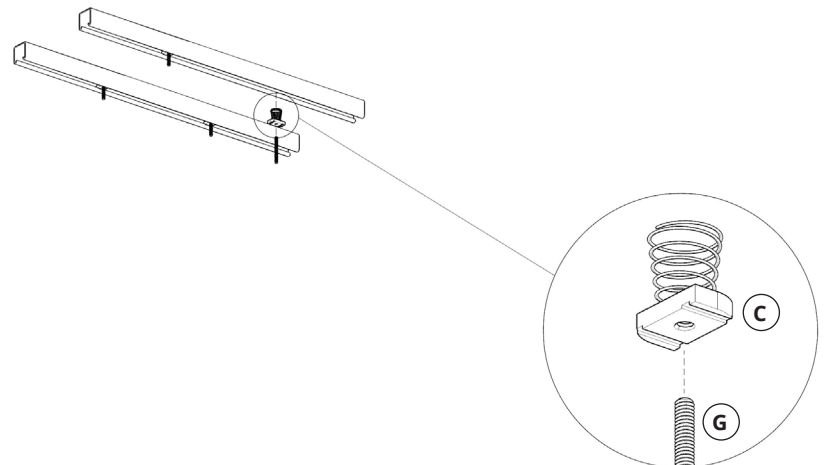
Step 1: Strut channel layout and installation

Layout the strut channels according to the installation drawing provided by Acoufelt or based on the desired spacing. If an installation drawing is available, start at the designated point in the drawing. Use a measuring tape to ensure accurate spacing between strut channels. Follow the strut channel manufacturer's recommendations and instructions for proper installation.



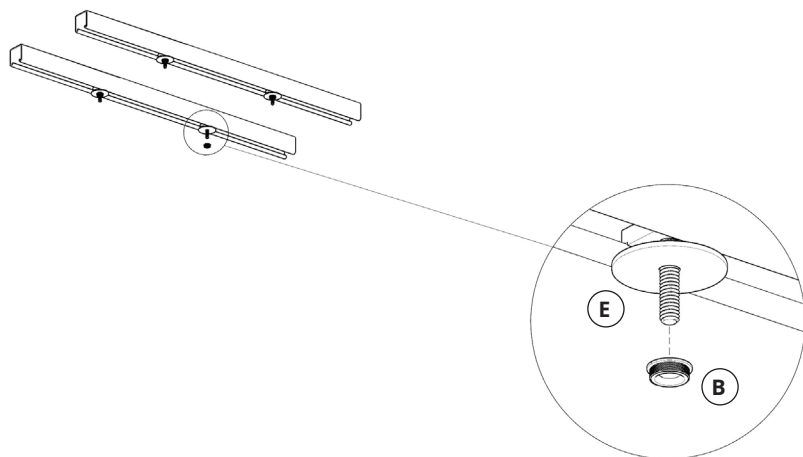
Step 2: Hardware layout and installation

Measure from the center of the specified starting point and mark the hardware connection locations on the strut channel. Insert the threaded stud into channel nuts and then insert the channel nut into the strut channel at the marked locations. Make sure the grooves in the channel nut sit on top of the rails of the strut channel.



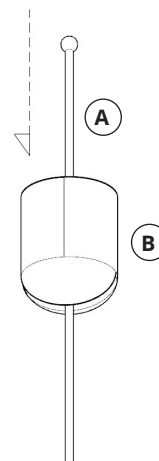
Step 3: Attach washer and screw nut

Remove the screw nut from the cable coupler and keep it accessible. Place the flat washer onto threaded stud and fasten the washer tightly with the screw nut. Confirm the washer and screw nut are securely in place on the threaded stud.



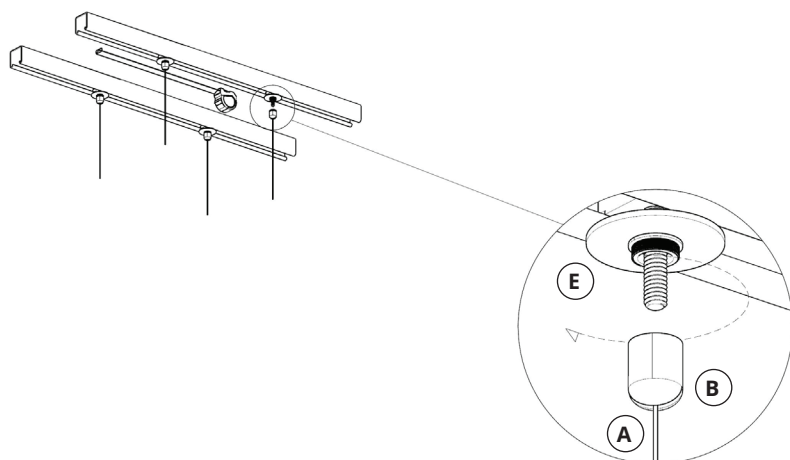
Step 4: Thread the aircraft cable

Thread the aircraft cable through the opening on the coupler barrel until the ball at the end of the aircraft cable catches and can't move any further.



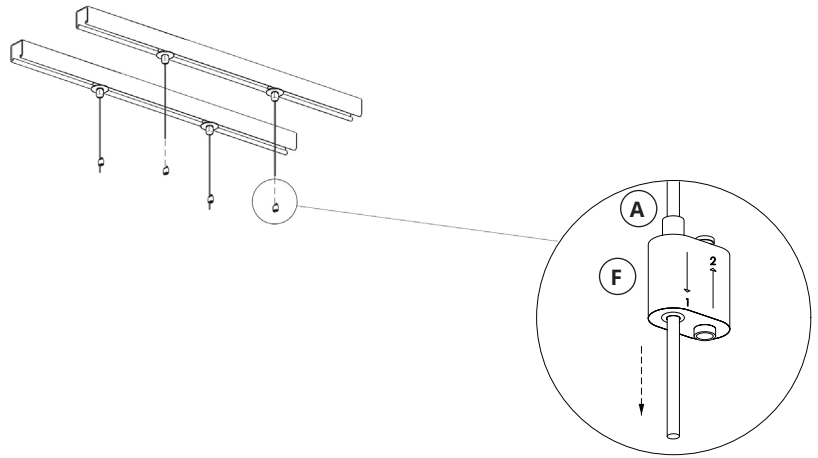
Step 5: Attach coupler barrel to strut channel

Twist the coupler barrel clockwise onto the threaded stud until it is securely attached to the strut channel.



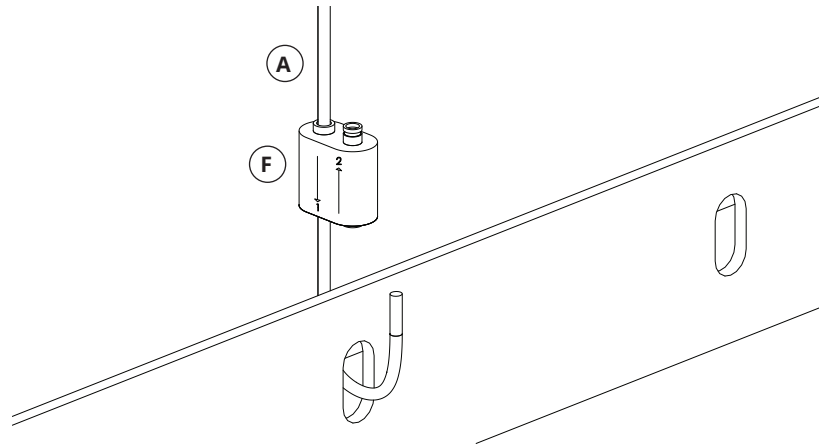
Step 6: Insert aircraft cable into loop gripper

Press down on the loop gripper plunger and insert the aircraft cable into the hole labeled 1. Ensure the aircraft cable is going the same direction as the arrow on the looper gripper and fully exits the hole at the bottom.



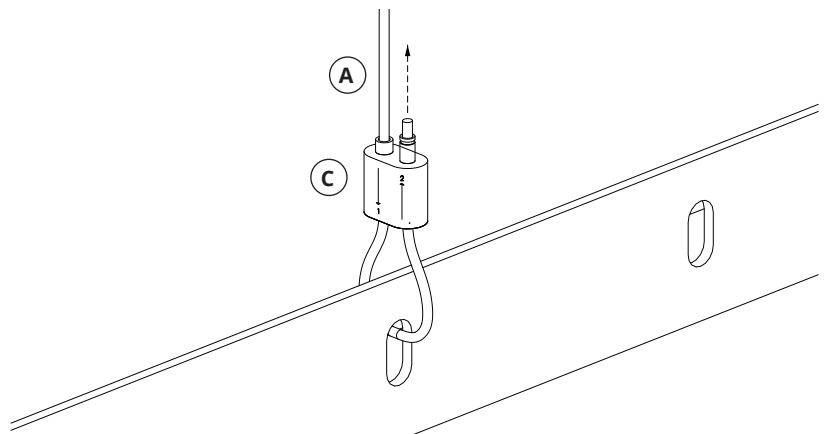
Step 7: Feed aircraft cable through L-channel

While holding the loop gripper, pull the aircraft cable through the designated L-channel hole. If project-specific shop drawings are available, refer to them to determine which L-channel holes should be used for connection.



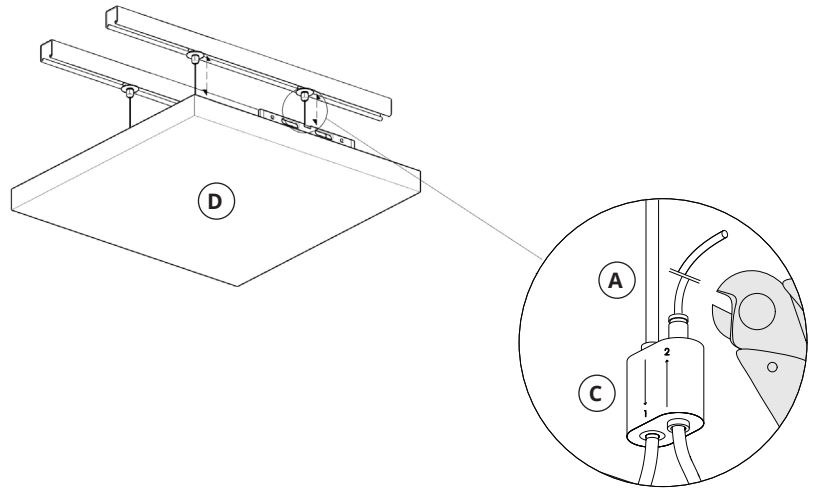
Step 8: Reinsert aircraft cable to loop gripper

Press down on the plunger labeled #2 and insert the aircraft cable through the loop gripper, following the direction of the arrow. Make sure the cable fully exits through the top side of the gripper.



Step 8: Adjust aircraft cable length

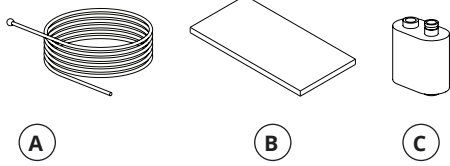
Using both plungers on the loop gripper, adjust the length of the aircraft cable, setting the clouds to the desired height. Utilize a laser level or level to ensure all clouds are level and meet the specified design height. Once the clouds are properly positioned and level, trim the excess aircraft cable.



8 Loop Gripper Cable Only

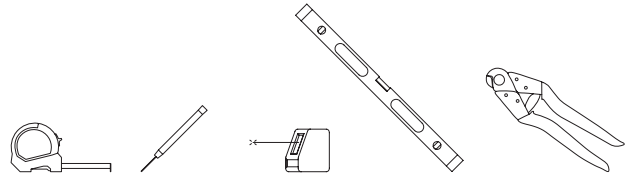
PARTS LIST*

- | | |
|-------------------------|-----------------------|
| A. 3/64" Aircraft cable | C. Loop gripper |
| B. Cloud | *Quantities will vary |



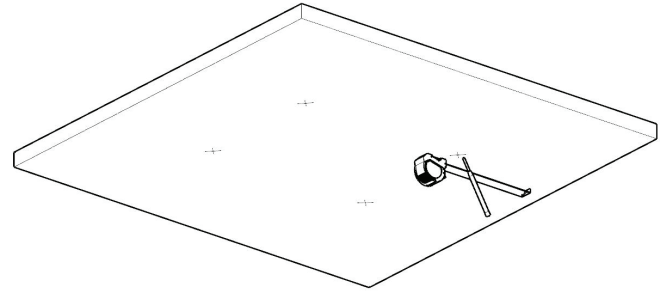
TOOLS

- | | |
|---------------------|-------------------|
| Measuring tape | Laser level/level |
| Construction marker | Wire rope cutter |



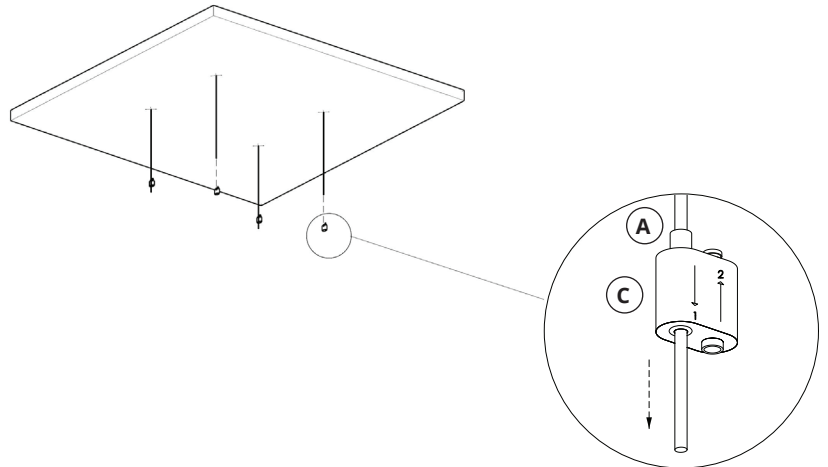
Step 1: Mark connection points and attach to ceiling

Use a measuring tape or laser level and a construction marker to measure and mark the desired ceiling connection location. If layout drawings are provided, reference them to ensure proper placement. Attach aircraft cables to your preferred ceiling mounting hardware (not provided by Acoufelt).



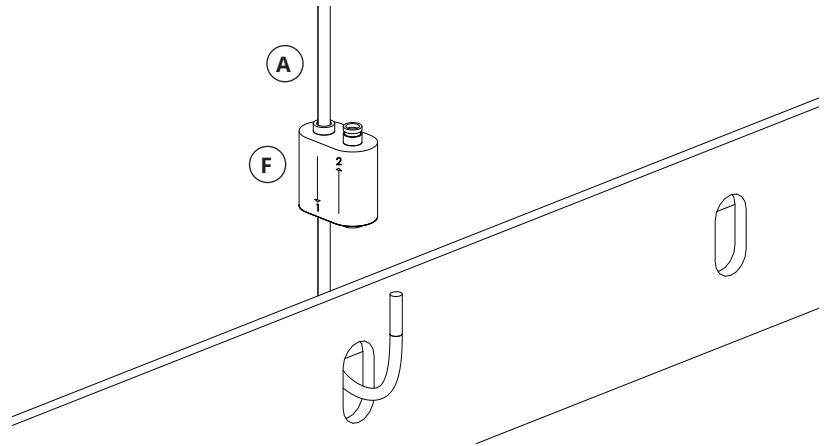
Step 2: Insert aircraft cable into loop gripper

Press down on the loop gripper plunger and insert the aircraft cable into the hole labeled 1. Ensure the aircraft cable is going the same direction as the arrow on the looper gripper and fully exits the hole at the bottom.



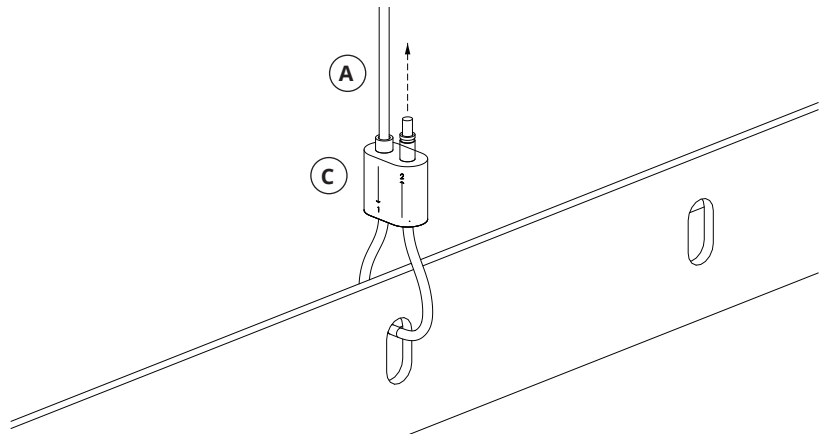
Step 3: Feed aircraft cable through L-channel

While holding the loop gripper, pull the aircraft cable through the designated L-channel hole. If project-specific shop drawings are available, refer to them to determine which L-channel holes should be used for connection.



Step 4: Reinsert aircraft cable to loop gripper

Press down on the plunger labeled #2 and insert the aircraft cable through the loop gripper, following the direction of the arrow. Make sure the cable fully exits through the top side of the gripper.



Step 5: Adjust aircraft cable length

Using both plungers on the loop gripper, adjust the length of the aircraft cable, setting the clouds to the desired height. Utilize a laser level or level to ensure all clouds are level and meet the specified design height. Once the clouds are properly positioned and level, trim the excess aircraft cable.

