

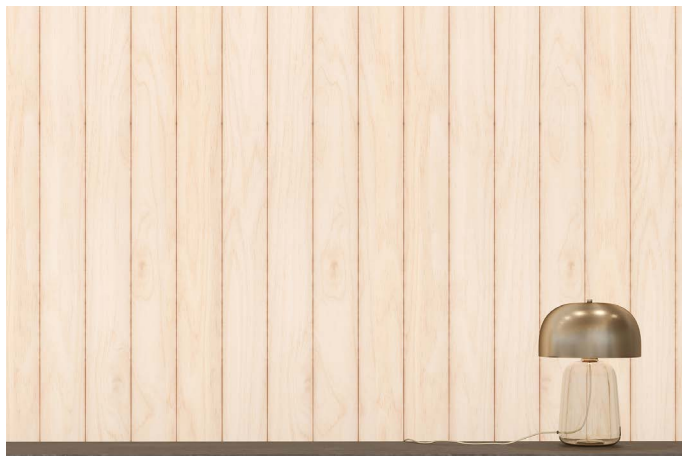
Filter, Panels Wall Panels

WoodGrain Collection

Indulge in a sensory detox. Filter quiets unwanted sound, creating a sense of calm complemented by a subtle layer of visual interest. Designed to attach easily to almost any surface, Filter comes in a variety of sizes and WoodGrain prints—bringing effortless acoustic comfort and refined design to any space.

Specifications

Surface	Wall
Material	FilaSorb™ polyester felt
Weight	0.49 lb./ft ² (±10%)
Standard Sizes	Width: 24" W Depth: 3" D Height: 48, 96, 108" H <i>Custom sizes available</i>



Filter, Panels Wall Panels in Baltic Birch

Technical

NRC Rating	0.45*
Fire Test	ASTM E84, Class A CAN/ULC-S102 Flame spread index: 15 Smoke developed index: 200
Water Sorption	ASTM C1104-2019 (A Modified) Water sorbed by weight: 0.20% (based on a 12mm thick panel)
Colorfastness	ISO 105-B02, 6-7

* Test results available upon request.

Details

Lead Time	3 – 6 weeks
Origin	Manufactured and assembled in the US
Warranty	Product: 20 years* Colorfastness: 20 years*

* Conditions apply

Environmental

Recycled Content	Minimum 60%
Energy	Generated using 40% solar energy
Indoor Air Quality	VOC less than/equal to 0.5mg/m ³
Recyclable	100%*
Certifications	Declare Certification - LBC Red List Free (third-party verified) SCS Global Indoor Advantage Gold

* PET is recyclable through participating partners.



For questions or additional product information, visit [acoufelt.com](https://www.acoufelt.com) or call **800.966.8557**.

Filter, Panels Wall Panels | March 2026

Colorways

WOODGRAIN



Picket Fence
WQ01



Loft
WQ06



White Elm
WQ07



Lyed Larch
WQ30



White Oak
WQ13



Baltic Birch
WQ12



Knotty Spruce
WQ29



French Bobbin
WQ08



Boat Shed
WQ02



Nordic Plank
WQ15



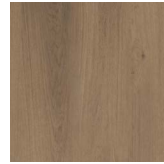
Boardwalk
WQ10



Mocha Legno
WQ25



Mountain Lodge
WQ24



Wine Barrel
WQ03



Log Cabin
WQ04



Natural Oak
WQ16



Woodland Fog
WQ22



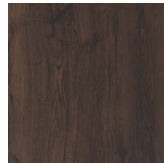
Driftwood
WQ21



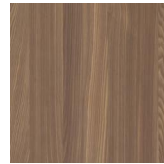
Weathered Slate
WQ14



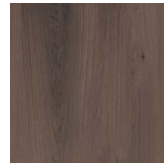
Petrified Ash
WQ23



Antique Chest
WQ11



European Larch
WQ17



Fumed Oak
WQ19



Teak
WQ18



Charred Larch
WQ09



Shadow Oak
WQ28



Barn Door
WQ05



Black Walnut
WQ20



Scorched Timber
WQ26



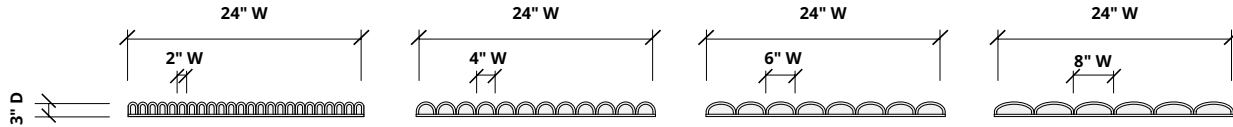
Espresso Oak
WQ27

Order samples at acoufelt.com/colorways

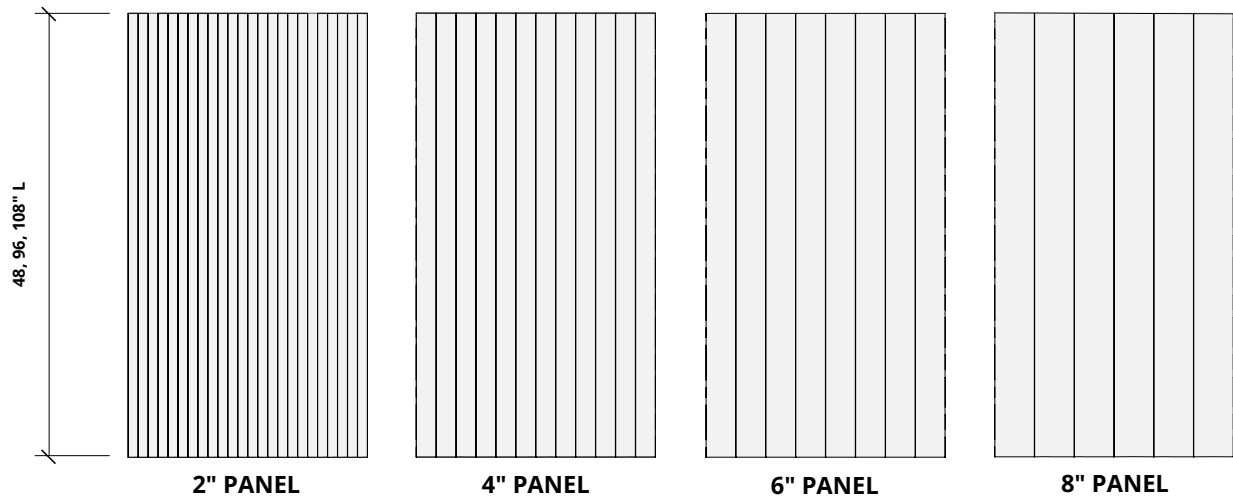
Sizes

Width	Panel width: 24" W Scallop widths: 2, 4, 6, 8" W
Depth	3" D
Length	48, 96, 108" L <i>Custom sizes available</i>

Plan



Elevation

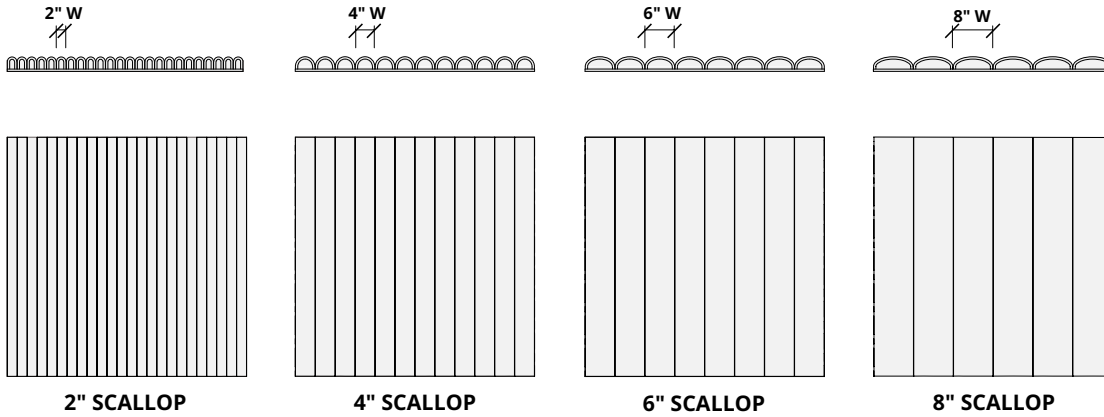


How to Specify

1. Choose Scallop Width

2. Choose Colorways

Select desired scallop width. Panels can be mixed for desired effect.



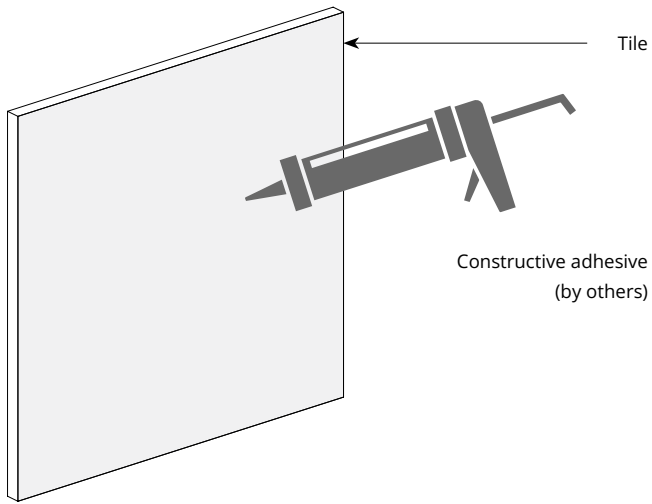
1. Choose Scallop Width

2. Choose Colorways

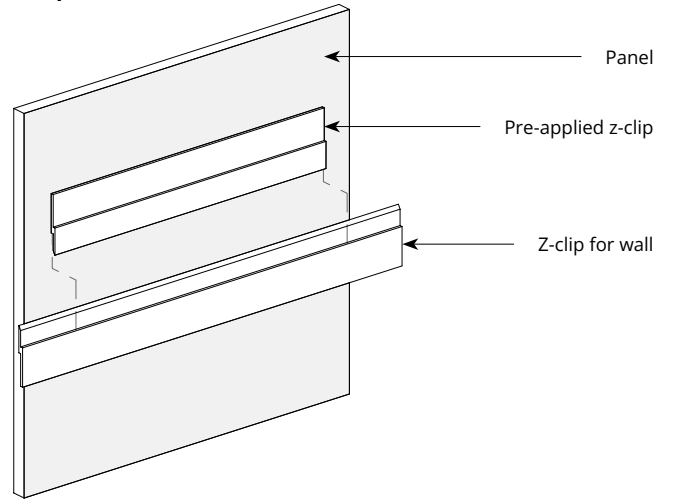
See colorways on page 3.

Mounting Methods

Construction adhesive

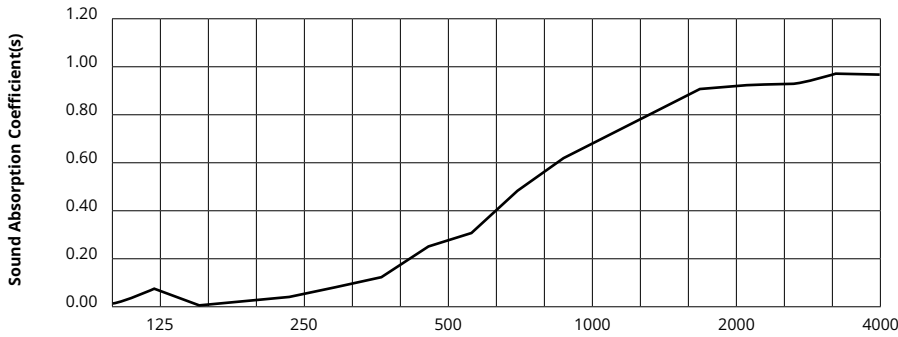


Z-clip wall mount



Acoustic Performance

Test Method	ASTM C423-09a
Install Method	A
Rating Method	AS ISO 11654-2002
Test Results	NRC 0.45, no air gap SAA 0.43, no air gap




Frequency f (Hz)	125	250	500	1000	2000	4000	NRC
12mm	0.06	0.02	0.23	0.61	0.89	0.95	0.45

What is a Noise Reduction Coefficient (NRC)?

You'll find the NRC rating in the specifications of all of our products. This acronym stands for Noise Reduction Coefficient, and is expressed as a single number, a rating that describes the degree to which acoustic products can absorb sound.

You can use NRC values to understand the overall performance of our acoustic wall and ceiling products. The higher the NRC, the better the product is at soaking up the sound.

Performance Indices: Noise Reduction Coefficient (NRC) results represent the absorption coefficients measured at the one third octave bands at 125, 250, 500, 1000, 2000 and 4000 Hz rounded to the nearest 0.05. Acoustic testing has been performed according to the methods mentioned above. Customization of installation of the product could alter the results. Sound Absorption Average (SAA) indicates the absorption coefficient average for the twelve one-third octave bands ranging between 200 and 2500 Hz.

 For questions or additional product information, visit [acoufelt.com](https://www.acoufelt.com) or call **800.966.8557**.

Filter, Panels Wall Panels | March 2026