

## Rooftop, Butterfly Ceiling Clouds

Premier Collection

Rooftop ceiling clouds combine modern aesthetics with exceptional functionality. Crafted from high-quality acoustic felt and available in a range of colors, their dynamic geometric design adds depth and visual intrigue to any space.

More than just visually captivating, Rooftop Clouds are designed with angled surfaces and premium materials to deliver outstanding sound absorption, effectively reducing noise and improving acoustics. Ideal for large, open areas, these ceiling clouds provide a versatile solution that enhances the style and functionality of any environment, making a bold architectural statement.

## Specifications

<b>Surface</b>	Ceiling
<b>Material</b>	FilaSorb™ polyester felt
<b>Thickness</b>	1/2", 12mm (±10%)
<b>Weight</b>	0.49 lb./ft <sup>2</sup> (±10%)
<b>Standard Sizes</b>	44" W x 44" L x 2" H 44" W x 96" L x 2" H



Rooftop, Butterfly Ceiling Cloud in Currant, Almond and Slate

## Technical

<b>NRC Rating</b>	0.85, 200mm air gap* 0.80, 400mm air gap*
<b>Fire Test</b>	ASTM E84, Class A Flame spread index: 15 Smoke developed index: 200
<b>Water Sorption</b>	ASTM C1104-2019 (A Modified) Water sorbed by weight: 0.20% (based on a 12mm thick panel)
<b>Colorfastness</b>	ISO 105-B02, 6-7

\* Test results available upon request

## Details

<b>Lead Time</b>	3 - 6 weeks
<b>Origin</b>	Manufactured and assembled in the US
<b>Warranty</b>	Product: 20 years* Colorfastness: 20 years*

\* Conditions apply

## Environmental

<b>Recycled Content</b>	Minimum 60%
<b>Energy</b>	Generated using 40% solar energy
<b>Indoor Air Quality</b>	VOC less than/equal to 0.5mg/m3
<b>Recyclable</b>	100%*
<b>Certifications</b>	Declare Certification - LBC Red List Free (third-party verified) SCS Global Indoor Advantage Gold

\* PET is recyclable through participating partners



For questions or additional product information, visit [acoufelt.com](https://www.acoufelt.com) or call **800.966.8557**.

Rooftop, Butterfly Ceiling Clouds | January 2026

# Colorways

## PREMIER



White  
WH12



Milkyway  
MI74



Ivory  
IV11



Pearl  
PE21



Valentine  
VA70



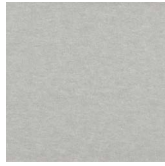
Quartz  
QU67



Stonewash  
ST72



Sea Salt  
SE57



Platinum  
PL04



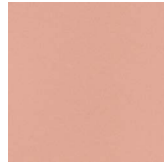
Almond  
AL55



Pistachio  
PI25



Turmeric  
TU60



Flamingo  
FL61



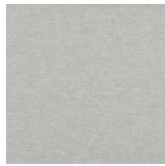
Amethyst  
AM69



Periwinkle  
PE23



Peacock  
PE20



Metal  
ME03



Mushroom  
MU75



Celery  
CE65



Wheat  
WH68



Peach  
PE19



Lilac  
LI13



Marine  
MA15



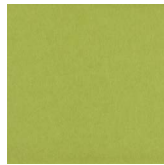
Sencha  
SE58



Grey  
GR02



Umber  
UM54



Wasabi  
WA29



Popcorn  
PO26



Currant  
CU59



Berry  
BE06



Azure  
AZ05



Oregano  
OR18



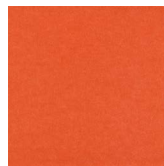
Charcoal  
CH01



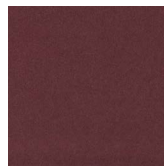
Walnut  
WA56



Eucalyptus  
EU71



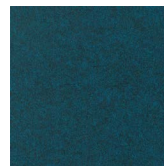
Carrot  
CA08



Loganberry  
LO77



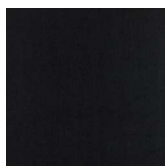
Granite  
GR62



Denim  
DE09



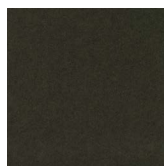
Kale  
KA12



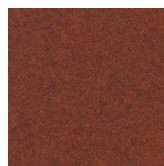
Piano Black  
PI24



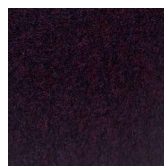
Slate  
SL27



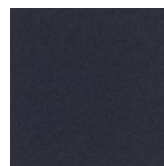
Nori  
NO76



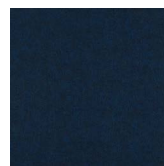
Peppercorn  
PE22



Shiraz  
SH63




Flint  
FL64



Midnight  
MI16

Order samples at [acoufelt.com/colorways](https://acoufelt.com/colorways)

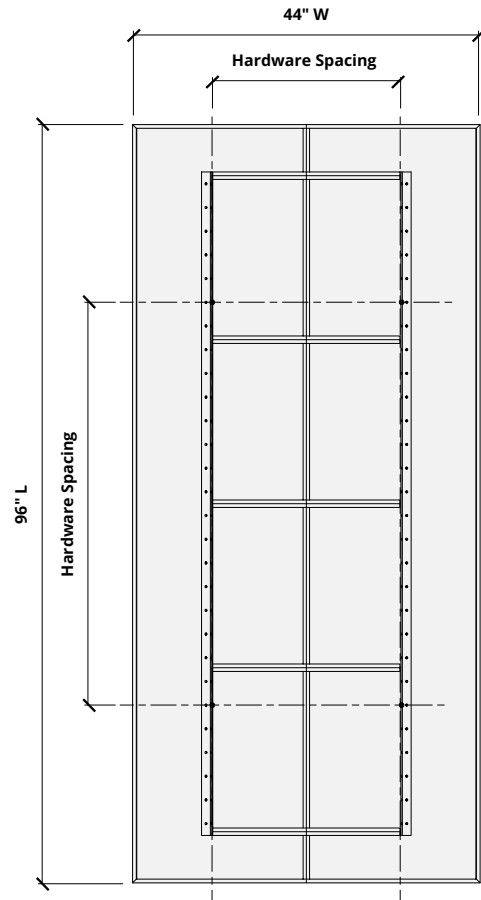
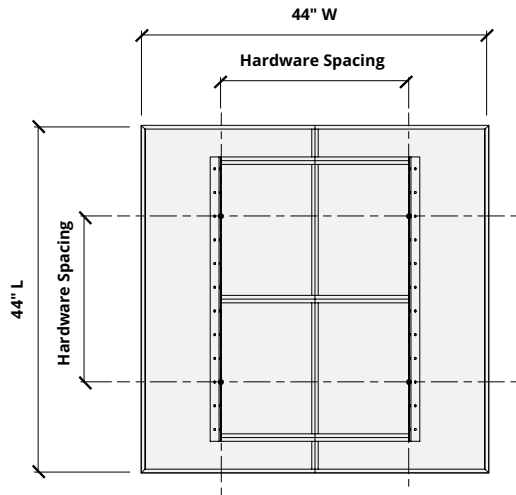
 For questions or additional product information, visit [acoufelt.com](https://acoufelt.com) or call 800.966.8557.

Rooftop, Butterfly Ceiling Clouds | January 2026

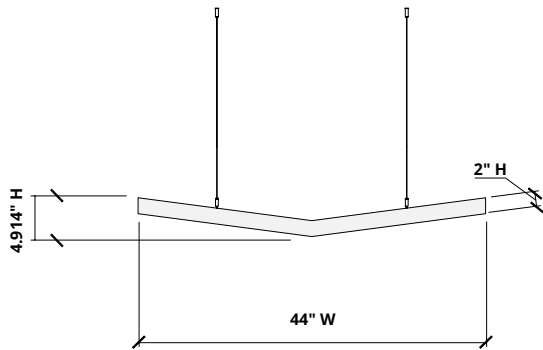
# Sizes

<b>Standard Sizes</b>	44" W x 44" L x 2" H 44" W x 96" L x 2" H
<b>Thickness</b>	1/2", 12mm (±10%)

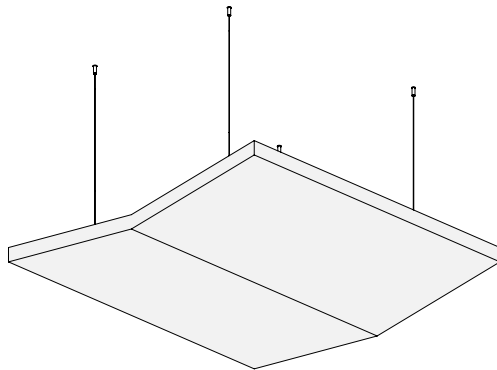
## Plan



## Elevation

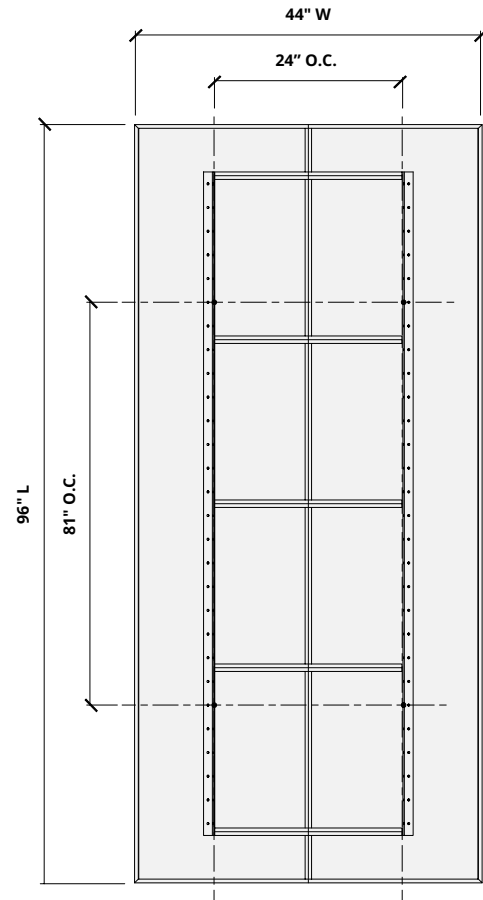
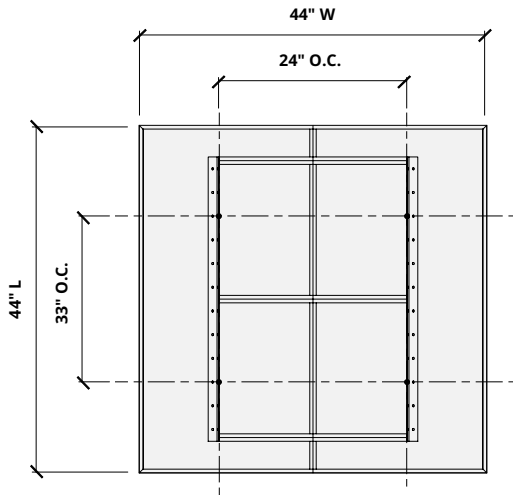


## Perspective



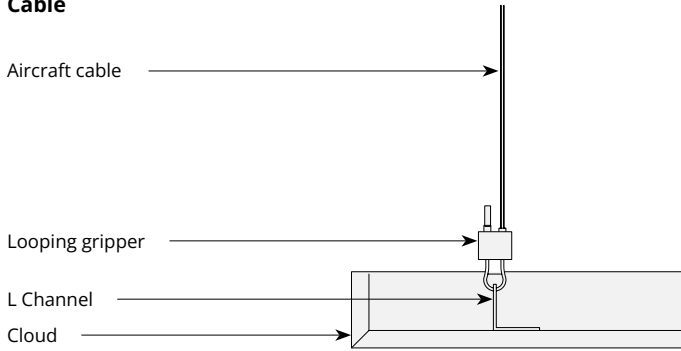
# Hardware Spacing

44" W	24" on center spacing
44" L	33" on center spacing
96" L	81" on center spacing

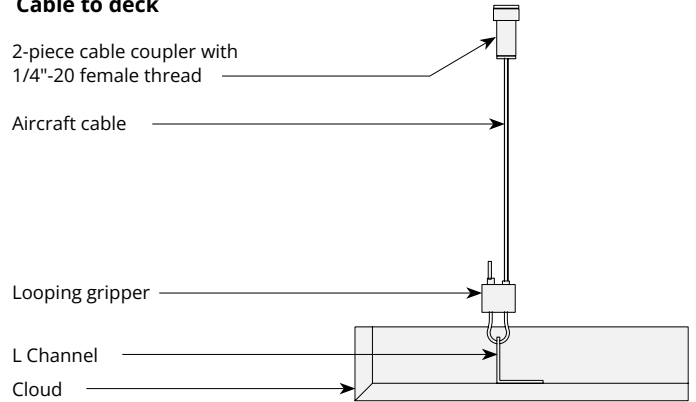


# Mounting Methods

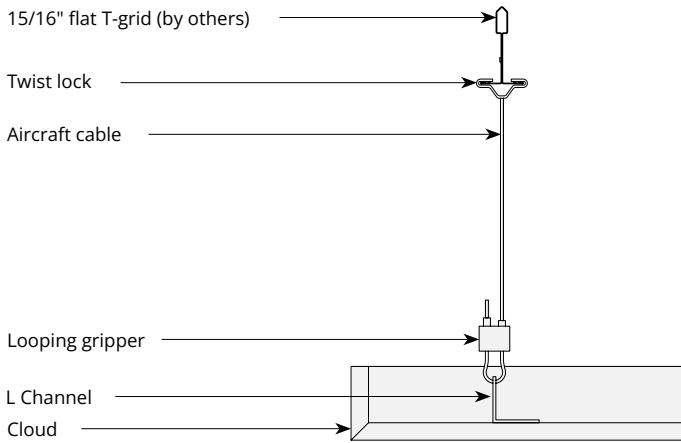
## Cable



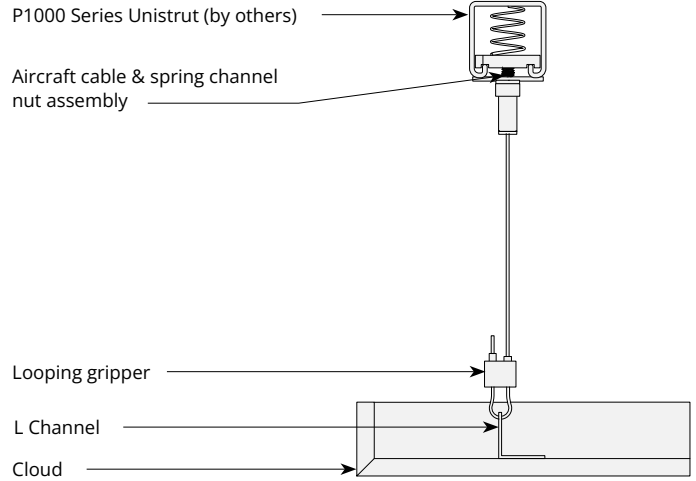
## Cable to deck



## Cable to T-grid

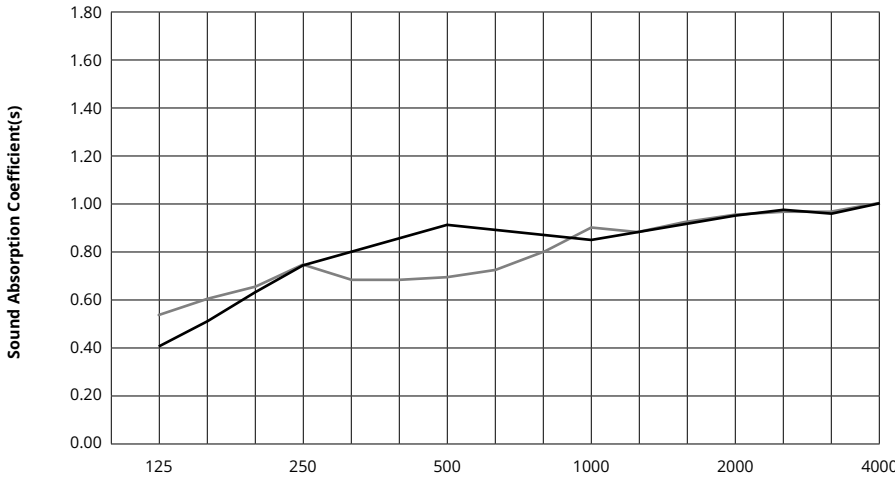


## Cable to Unistrut



# Acoustic Performance

<b>Test Method</b>	ISO 11654-2002
<b>Install Method</b>	E200, E400
<b>Rating Method</b>	ASTM C423-09a
<b>Test Results</b>	NRC 0.85, 200mm air gap SAA 0.86, 200mm air gap NRC 0.80, 400mm air gap SAA 0.83, 400mm air gap




	Frequency f (Hz)	125	250	500	1000	2000	4000	NRC
	12mm, 200mm air gap	0.40	0.75	0.90	0.85	0.95	1.00	0.85
	12mm, 400mm air gap	0.55	0.75	0.70	0.90	0.95	1.00	0.80

## What is a Noise Reduction Coefficient (NRC)?

You'll find the NRC rating in the specifications of all of our products. This acronym stands for Noise Reduction Coefficient, and is expressed as a single number, a rating that describes the degree to which acoustic products can absorb sound.

You can use NRC values to understand the overall performance of our acoustic wall and ceiling products. The higher the NRC, the better the product is at soaking up the sound.

*Performance Indices: Noise Reduction Coefficient (NRC) results represent the absorption coefficients measured at the one third octave bands at 125, 250, 500, 1000, 2000 and 4000 Hz rounded to the nearest 0.05. Acoustic testing has been performed according to the methods mentioned above. Customization of installation of the product could alter the results. Sound Absorption Average (SAA) indicates the absorption coefficient average for the twelve one-third octave bands ranging between 200 and 2500 Hz.*

 For questions or additional product information, visit [acoufelt.com](https://www.acoufelt.com) or call **800.966.8557**.

**Rooftop, Butterfly Ceiling Clouds** | January 2026