



## PopUp Wall Tiles

WoodGrain Collection

Enhance any space with visual intrigue and effective sound control using sculptural, lightweight PopUp Wall Tiles. Designed for creative flexibility, PopUp Tiles are perfect for both large and small spaces—cover expansive areas for maximum sound absorption or craft smaller installations to add visual interest to empty walls. Combining bold aesthetics with significant acoustic performance, PopUp Tiles are the ideal solution for acoustically challenging environments.

## Specifications

<b>Surface</b>	Wall
<b>Material</b>	FilaSorb™ polyester felt
<b>Weight</b>	12mm, 0.49 lb./ft <sup>2</sup> (±10%)
<b>Standard Sizes</b>	Width: 4, 12, 24" W Height: 12, 24" H Depth: 2, 3" D



PopUp Wall Tiles with Dart Pattern in Lyed Larch



PopUp Wall Tiles with Step Pattern in Baltic Birch

## Technical

<b>NRC Rating</b>	Pending product testing
<b>Fire Test</b>	ASTM E84, Class A CAN/ULC-S102 Flame spread index: 15 Smoke developed index: 200
<b>Water Sorption</b>	ASTM C1104-2019 (A Modified) Water sorbed by weight: 0.20% (based on a 12mm thick panel)
<b>Colorfastness</b>	ISO 105-B02, 6-7

\* Rating is estimated based on similar product designs. Comparison NRC results available upon request.

## Details

<b>Lead Time</b>	3 - 6 weeks
<b>Origin</b>	Manufactured and assembled in the US
<b>Warranty</b>	Product: 20 years* Colorfastness: 20 years*

\* Conditions apply

## Environmental

<b>Recycled Content</b>	Minimum 60%
<b>Energy</b>	Generated using 40% solar energy
<b>Indoor Air Quality</b>	VOC less than/equal to 0.5mg/m <sup>3</sup>
<b>Recyclable</b>	100%*
<b>Certifications</b>	Declare Certification - LBC Red List Free (third-party verified) SCS Global Indoor Advantage Gold



For questions or additional product information, visit [acoufelt.com](https://www.acoufelt.com) or call 800.966.8557.

PopUp Wall Tiles | December 2025

# Colorways

## WOODGRAIN



Picket Fence  
WQ01



Loft  
WQ06



White Elm  
WQ07



Lyed Larch  
WQ30



White Oak  
WQ13



Baltic Birch  
WQ12



Knotty Spruce  
WQ29



French Bobbin  
WQ08



Boat Shed  
WQ02



Nordic Plank  
WQ15



Boardwalk  
WQ10



Mocha Legno  
WQ25



Mountain Lodge  
WQ24



Wine Barrel  
WQ03



Log Cabin  
WQ04



Natural Oak  
WQ16



Woodland Fog  
WQ22



Driftwood  
WQ21



Weathered Slate  
WQ14



Petrified Ash  
WQ23



Antique Chest  
WQ11



European Larch  
WQ17



Fumed Oak  
WQ19



Teak  
WQ18



Charred Larch  
WQ09



Shadow Oak  
WQ28



Barn Door  
WQ05



Black Walnut  
WQ20



Scorched Timber  
WQ26



Espresso Oak  
WQ27

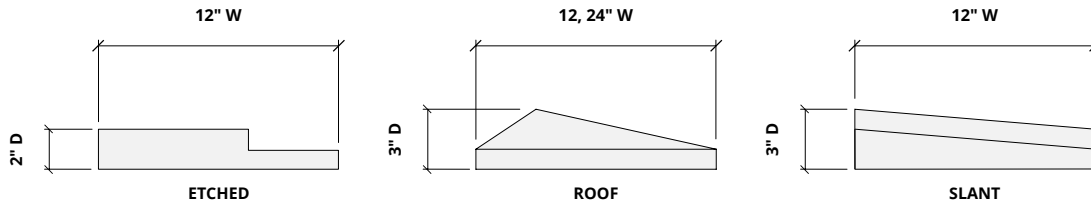
Order samples at [acoufelt.com/colorways](https://acoufelt.com/colorways)

# Sizes / Design

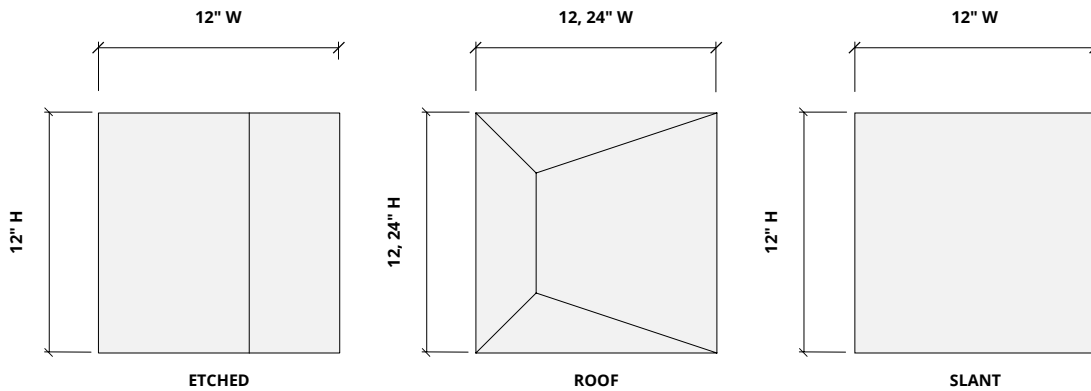
**Standard Sizes**    Width: 12, 24" W  
                                 Height: 12, 24" H  
                                 Depth: 2, 3" D

---

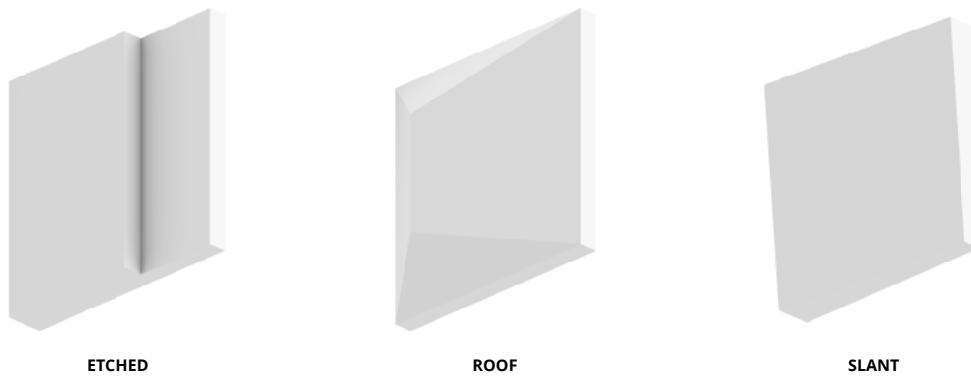
## Plan



## Elevations



## Perspectives

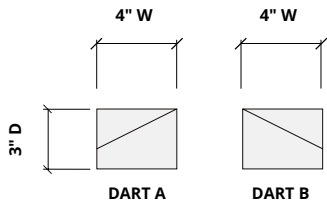


# Sizes / Design

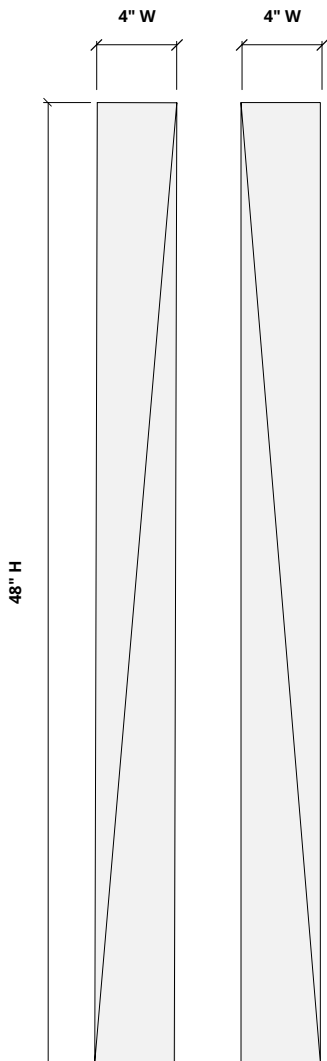
**Standard Sizes**    Width: 4" W  
                                 Height: 48" H  
                                 Depth: 3" D

---

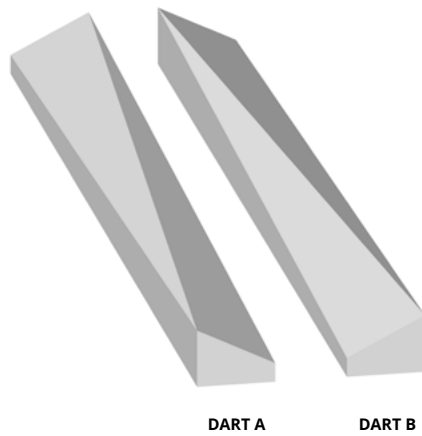
## Plan - Bottom View



## Elevations



## Perspectives

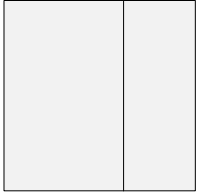


# How to Specify

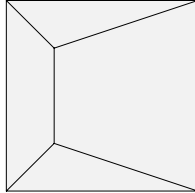
## 1. Choose Tile Design

## 2. Choose Colorway

Select desired tile design and size.



ETCHED



ROOF



SLANT



DART A



DART B

## 1. Choose Tile Design

## 2. Choose Colorway

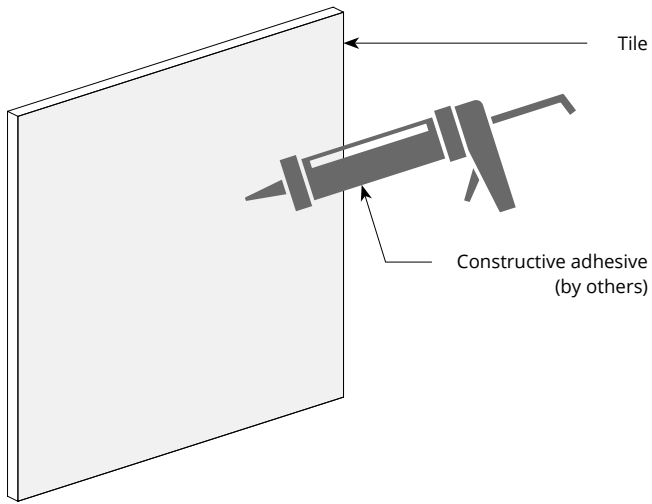
Select colorways on page 3.



For questions or additional product information, visit [acoufelt.com](https://www.acoufelt.com) or call 800.966.8557.

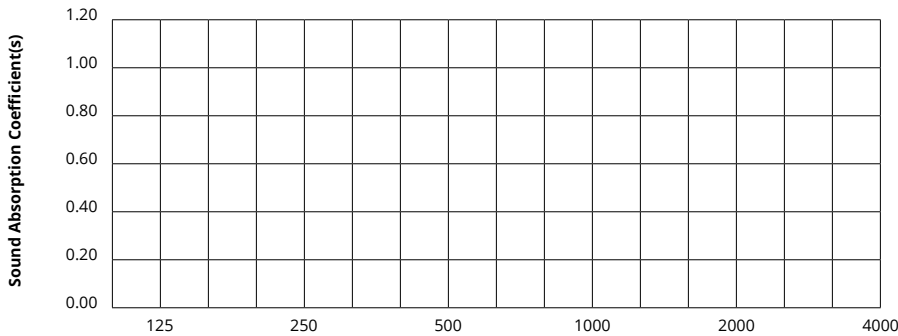
# Mounting Methods

## Construction adhesive



# Acoustic Performance

<b>Test Method</b>	ISO 354-2006
<b>Install Method</b>	Type A
<b>Mounting Method</b>	No air gap
<b>Rating Method</b>	ISO 11654-1997
<b>Test Results</b>	Pending product testing




Frequency f (Hz)	125	250	500	1000	2000	4000	NRC
12mm	Pending product testing						

## What is a Noise Reduction Coefficient (NRC)?

You'll find the NRC rating in the specifications of all of our products. This acronym stands for Noise Reduction Coefficient, and is expressed as a single number, a rating that describes the degree to which acoustic products can absorb sound.

You can use NRC values to understand the overall performance of our acoustic wall and ceiling products. The higher the NRC, the better the product is at soaking up the sound.

*Performance Indices: Noise Reduction Coefficient (NRC) results represent the absorption coefficients measured at the one third octave bands at 125, 250, 500, 1000, 2000 and 4000 Hz rounded to the nearest 0.05. Acoustic testing has been performed according to the methods mentioned above. Customization of installation of the product could alter the results. Sound Absorption Average (SAA) indicates the absorption coefficient average for the twelve one-third octave bands ranging between 200 and 2500 Hz.*

 For questions or additional product information, visit [acoufelt.com](https://www.acoufelt.com) or call **800.966.8557**.

**PopUp Wall Tiles** | December 2025