

SoftenUp, Ridge Wall Panels

WoodGrain Collection

SoftenUp™ wall panels transform any space with warmth and clarity, effectively absorbing unwanted noise while concealing wall seams and imperfections. The Ridge design features sleek, linear slats with a modern rectilinear aesthetic, available in a variety of colors to suit any style. Designed for effortless installation, SoftenUp panels offer a versatile, creative solution for enhancing acoustics and elevating the visual appeal of any environment.

Specifications

Surface	Wall	
Material	FilaSorb™ polyester felt	
Weight	0.49 lb./ft ² (±10%)	
Standard Sizes	Slat Profiles	Backer Panels
	2" T x 3" D	24" W x 24" H
	4" T x 3" D	24" W x 48" H
		24" W x 96" H 24" W x 108" H



SoftenUp, Ridge Wall Panels in Shadow Oak

Technical

NRC Rating	NRC 0.95* NRC 0.95, 5mm air gap* NRC 1.00, 12mm air gap* NRC 1.00, 3/4" air gap*
Fire Test	ASTM E84, Class A CAN/ULC-S102 Flame spread index: 15 Smoke developed index: 200
Water Sorption	ASTM C1104-2019 (A Modified) Water sorbed by weight: 0.20% (based on a 12mm thick panel)
Colorfastness	ISO 105-B02, 6-7

* Test results available upon request

Details

Lead Time	3 – 6 weeks
Origin	Manufactured and assembled in the US
Warranty	Product: 20 years* Colorfastness: 20 years*

* Conditions apply

Environmental

Recycled Content	Minimum 60%
Energy	Generated using 40% solar energy
Indoor Air Quality	VOC less than/equal to 0.5mg/m ³
Recyclable	100%*
Certifications	Environmental Product Declaration Declare Certification - LBC Red List Free (third-party verified) SCS Global Indoor Advantage Gold

* PET is recyclable through participating partners



For questions or additional product information, visit [acoufelt.com](https://www.acoufelt.com) or call 800.966.8557.

SoftenUp, Ridge Wall Panels | January 2026

Colorways

WOODGRAIN



Picket Fence
WQ01



Loft
WQ06



White Elm
WQ07



Lyed Larch
WQ30



White Oak
WQ13



Baltic Birch
WQ12



Knotty Spruce
WQ29



French Bobbin
WQ08



Boat Shed
WQ02



Nordic Plank
WQ15



Boardwalk
WQ10



Mocha Legno
WQ25



Mountain Lodge
WQ24



Wine Barrel
WQ03



Log Cabin
WQ04



Natural Oak
WQ16



Woodland Fog
WQ22



Driftwood
WQ21



Weathered Slate
WQ14



Petrified Ash
WQ23



Antique Chest
WQ11



European Larch
WQ17



Fumed Oak
WQ19



Teak
WQ18



Charred Larch
WQ09



Shadow Oak
WQ28



Barn Door
WQ05



Black Walnut
WQ20



Scorched Timber
WQ26



Espresso Oak
WQ27


Order samples at acoufelt.com/colorways

Colorways

PREMIER

							
White WH12	Milkyway MI74	Ivory IV11	Pearl PE21	Valentine VA70	Quartz QU67	Stonewash ST72	Sea Salt SE57
							
Platinum PL04	Almond AL55	Pistachio PI25	Turmeric TU60	Flamingo FL61	Amethyst AM69	Periwinkle PE23	Peacock PE20
							
Metal ME03	Mushroom MU75	Celery CE65	Wheat WH68	Peach PE19	Lilac LI13	Marine MA15	Sencha SE58
							
Grey GR02	Umber UM54	Wasabi WA29	Popcorn PO26	Currant CU59	Berry BE06	Azure AZ05	Oregano OR18
							
Charcoal CH01	Walnut WA56	Eucalyptus EU71	Carrot CA08	Loganberry LO77	Granite GR62	Denim DE09	Kale KA12
							
Piano Black PI24	Slate SL27	Nori NO76	Peppercorn PE22	Shiraz SH63	Flint FL64	Midnight MI16	

Order samples at acoufelt.com/colorways

 For questions or additional product information, visit acoufelt.com or call 800.966.8557.

SoftenUp, Ridge Wall Panels | January 2026

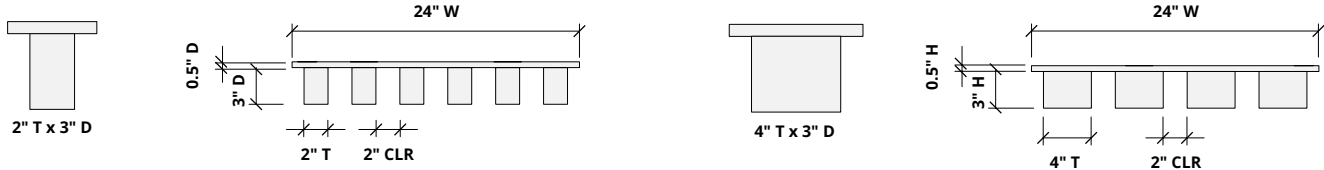
How to Specify

1. Choose Slat Size

2. Choose Backer Panel Size

3. Choose Colorways

Slats are available in two sizes:

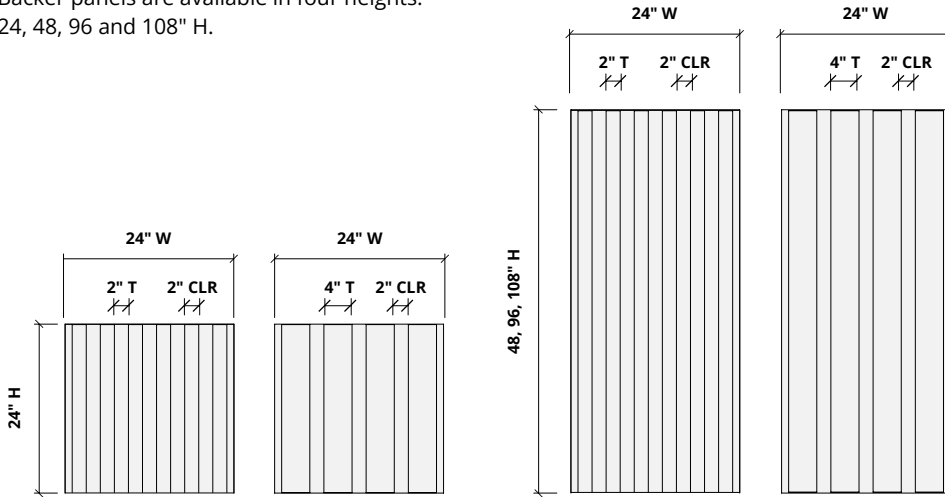


1. Choose Slat Size

2. Choose Backer Panel Size

3. Choose Colorways

Backer panels are available in four heights: 24, 48, 96 and 108" H.

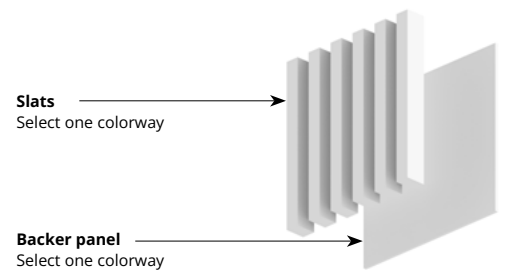


1. Choose Slat Size

2. Choose Backer Panel Size

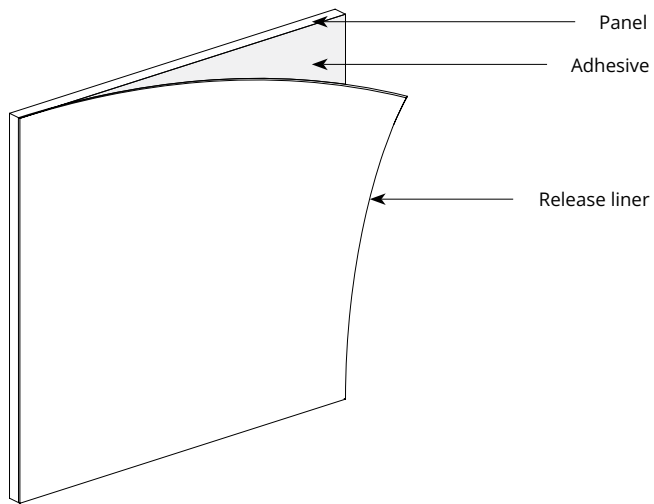
3. Choose Colorways

Select one colorway for your slats and one colorway for your backer panel. See colorway choices on pages 3 and 4.

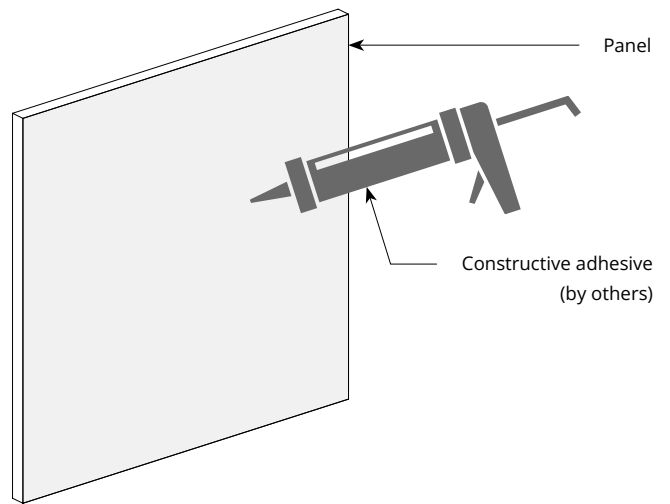


Mounting Methods

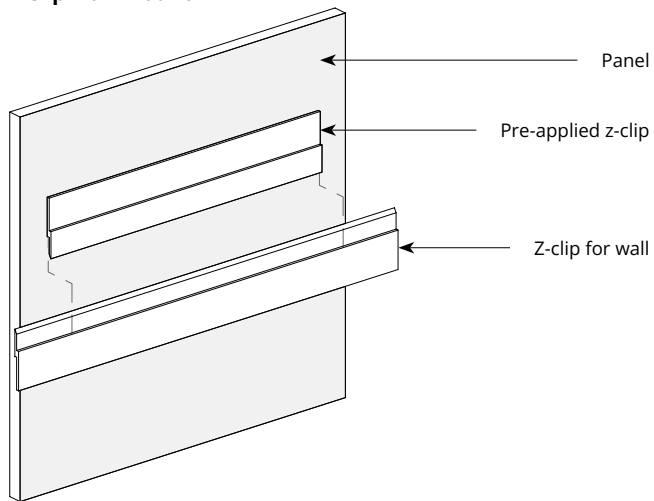
Adhesive backing



Construction adhesive



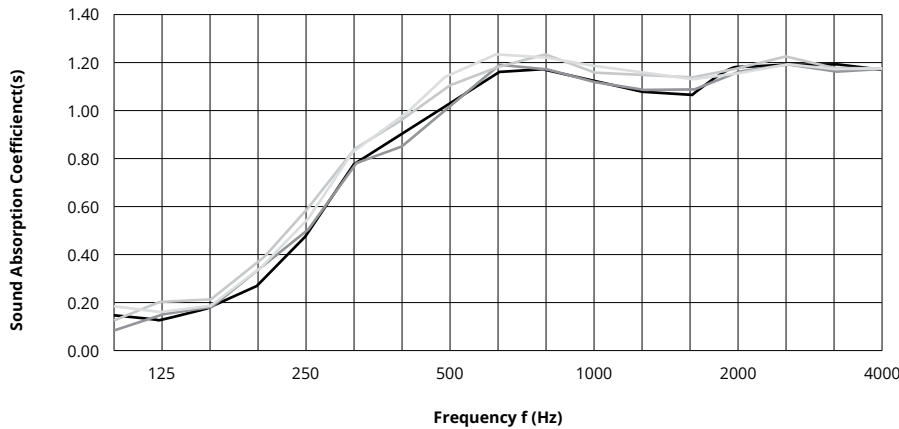
Z-clip wall mount



* For wall mount applications only.

Acoustic Performance

Test Method	ASTM E795
Install Method	Type E-400
Rating Method	ASTM C423
Mounting Method	2" T x 3" D slat on 12mm backer
Test Results	<p>NRC 0.95</p> <p>NRC 0.95, 5mm air gap</p> <p>NRC 1.00, 12mm air gap</p> <p>NRC 1.00, 3/4" air gap</p> <p>SAA 0.95, no air gap</p> <p>SAA 0.97, 5mm air gap</p> <p>SAA 1.00, 12mm air gap</p> <p>SAA 1.01, 3/4" air gap</p>




	Frequency f (Hz)	125	250	500	1000	2000	4000	NRC
	12mm	0.17	0.49	1.03	1.12	1.17	1.16	0.95
	12mm, 5mm air gap	0.19	0.53	1.03	1.13	1.17	1.18	0.95
	12mm, 12mm air gap	0.15	0.22	1.10	1.15	1.16	1.16	1.00
	12mm, 3/4" air gap	0.27	0.59	1.13	1.17	1.14	1.16	1.00

What is a Noise Reduction Coefficient (NRC)?

You'll find the NRC rating in the specifications of all of our products. This acronym stands for Noise Reduction Coefficient, and is expressed as a single number, a rating that describes the degree to which acoustic products can absorb sound.

You can use NRC values to understand the overall performance of our acoustic wall and ceiling products. The higher the NRC, the better the product is at soaking up the sound.

Performance Indices: Noise Reduction Coefficient (NRC) results represent the absorption coefficients measured at the one third octave bands at 125, 250, 500, 1000, 2000 and 4000 Hz rounded to the nearest 0.05. Acoustic testing has been performed according to the methods mentioned above. Customization of installation of the product could alter the results. Sound Absorption Average (SAA) indicates the absorption coefficient average for the twelve one-third octave bands ranging between 200 and 2500 Hz.

 For questions or additional product information, visit acoufelt.com or call **800.966.8557**.

SoftenUp, Ridge Wall Panels | January 2026