

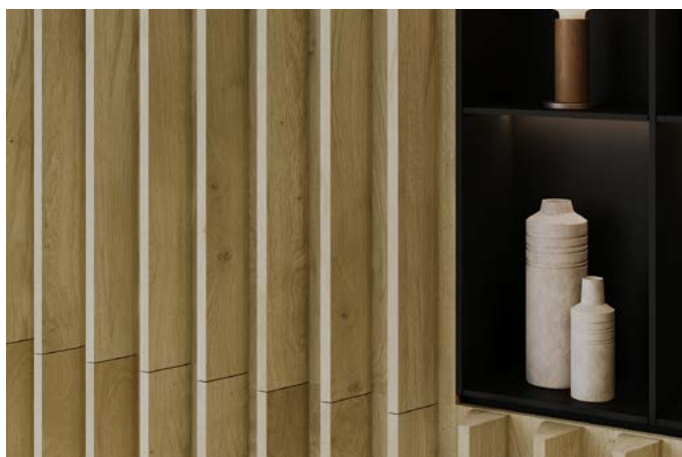
## SoftenUp, Peak Wall Panels

WoodGrain Collection

SoftenUp™ wall panels enhance any space with a warm, polished look, effectively reducing unwanted noise while hiding wall seams and imperfections. The Peak design features angular linear slats for a contemporary touch and comes in a variety of colors to complement any décor. Designed for effortless installation, SoftenUp panels offer a stylish and versatile acoustic wall solution for any environment.

## Specifications

<b>Surface</b>	Wall	
<b>Material</b>	FilaSorb™ polyester felt	
<b>Weight</b>	0.49 lb./ft <sup>2</sup> (±10%)	
<b>Standard Sizes</b>	<b>Slat Profiles</b>	<b>Backer Panels</b>
	2" T x 3" D	24" W x 24" H
		24" W x 48" H
		24" W x 96" H
		24" W x 108" H



SoftenUp, Peak Wall Panels in Weathered Slate

## Technical

<b>NRC Rating</b>	0.95* 0.95, 5mm air gap* 1.00, 12mm air gap* 1.00, 3/4" air gap*
<b>Fire Test</b>	ASTM E84, Class A CAN/ULC-S102 Flame spread index: 15 Smoke developed index: 200
<b>Water Sorption</b>	ASTM C1104-2019 (A Modified) Water sorbed by weight: 0.20% (based on a 12mm thick panel)
<b>Colorfastness</b>	ISO 105-B02, 6-7

\* Test results available upon request

## Details

<b>Lead Time</b>	3 – 6 weeks
<b>Origin</b>	Manufactured and assembled in the US
<b>Warranty</b>	Product: 20 years* Colorfastness: 20 years*

\* Conditions apply

## Environmental

<b>Recycled Content</b>	Minimum 60%
<b>Energy</b>	Generated using 40% solar energy
<b>Indoor Air Quality</b>	VOC less than/equal to 0.5mg/m <sup>3</sup>
<b>Recyclable</b>	100%*
<b>Certifications</b>	Environmental Product Declaration Declare Certification - LBC Red List Free (third-party verified) SCS Global Indoor Advantage Gold

\* PET is recyclable through participating partners



For questions or additional product information, visit [acoufelt.com](https://www.acoufelt.com) or call **800.966.8557**.

SoftenUp, Peak Wall Panels | January 2026

# Colorways

## WOODGRAIN



Picket Fence  
WQ01



Loft  
WQ06



White Elm  
WQ07



Lyed Larch  
WQ30



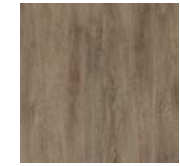
White Oak  
WQ13



Baltic Birch  
WQ12



Knotty Spruce  
WQ29



French Bobbin  
WQ08



Boat Shed  
WQ02



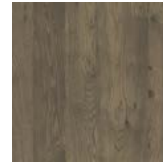
Nordic Plank  
WQ15



Boardwalk  
WQ10



Mocha Legno  
WQ25



Mountain Lodge  
WQ24



Wine Barrel  
WQ03



Log Cabin  
WQ04



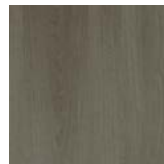
Natural Oak  
WQ16



Woodland Fog  
WQ22



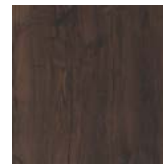
Driftwood  
WQ21



Weathered Slate  
WQ14



Petrified Ash  
WQ23



Antique Chest  
WQ11



European Larch  
WQ17



Fumed Oak  
WQ19



Teak  
WQ18



Charred Larch  
WQ09



Shadow Oak  
WQ28



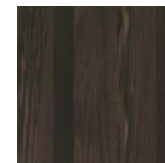
Barn Door  
WQ05



Black Walnut  
WQ20



Scorched Timber  
WQ26



Espresso Oak  
WQ27


Order samples at [acoufelt.com/colorways](https://acoufelt.com/colorways)

# Colorways

## PREMIER

							
White WH12	Milkyway MI74	Ivory IV11	Pearl PE21	Valentine VA70	Quartz QU67	Stonewash ST72	Sea Salt SE57
							
Platinum PL04	Almond AL55	Pistachio PI25	Turmeric TU60	Flamingo FL61	Amethyst AM69	Periwinkle PE23	Peacock PE20
							
Metal ME03	Mushroom MU75	Celery CE65	Wheat WH68	Peach PE19	Lilac LI13	Marine MA15	Sencha SE58
							
Grey GR02	Umber UM54	Wasabi WA29	Popcorn PO26	Currant CU59	Berry BE06	Azure AZ05	Oregano OR18
							
Charcoal CH01	Walnut WA56	Eucalyptus EU71	Carrot CA08	Loganberry LO77	Granite GR62	Denim DE09	Kale KA12
							
Piano Black PI24	Slate SL27	Nori NO76	Peppercorn PE22	Shiraz SH63	Flint FL64	Midnight MI16	

Order samples at [acoufelt.com/colorways](https://acoufelt.com/colorways)

 For questions or additional product information, visit [acoufelt.com](https://acoufelt.com) or call 800.966.8557.

SoftenUp, Peak Wall Panels | January 2026

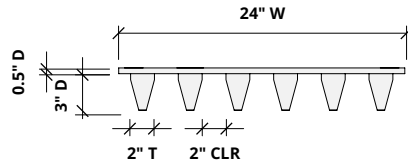
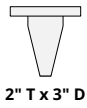
# How to Specify

## 1. Choose Slat Size

## 2. Choose Backer Panel Size

## 3. Choose Colorways

Slats are available in one size:

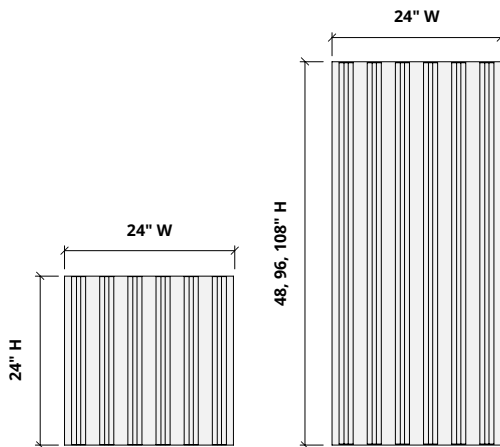


## 1. Choose Slat Size

## 2. Choose Backer Panel Size

## 3. Choose Colorways

Backer panels are available in four heights: 24, 48, 96 and 108" H.

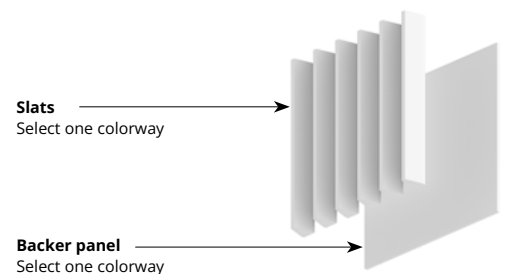


## 1. Choose Slat Size

## 2. Choose Backer Panel Size

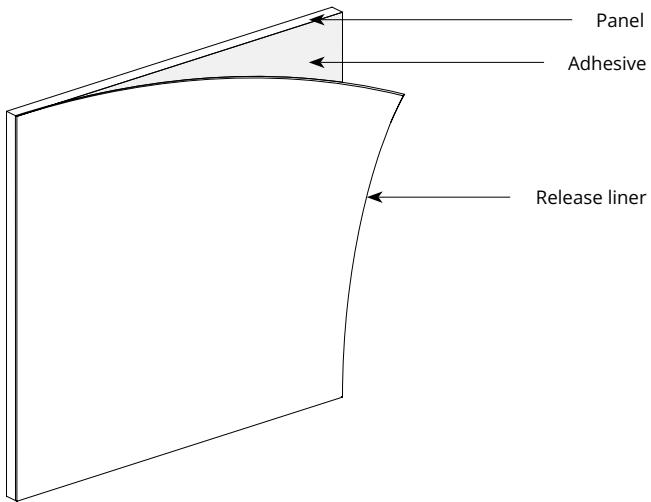
## 3. Choose Colorways

Select one colorway for your slats and one colorway for your backer panel.  
See colorway choices on page 3 and 4.

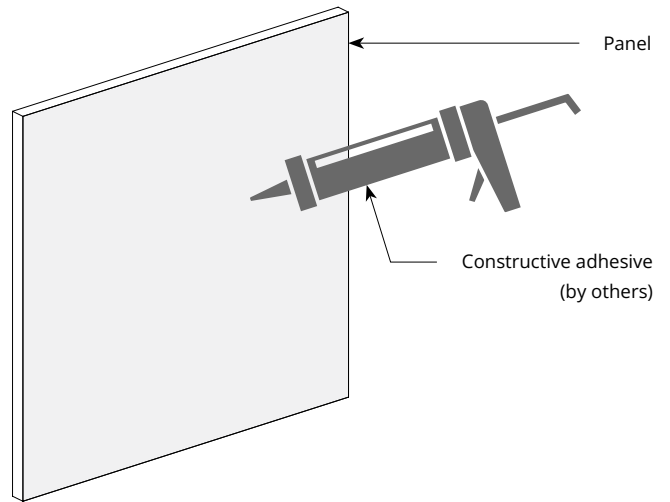


# Mounting Methods

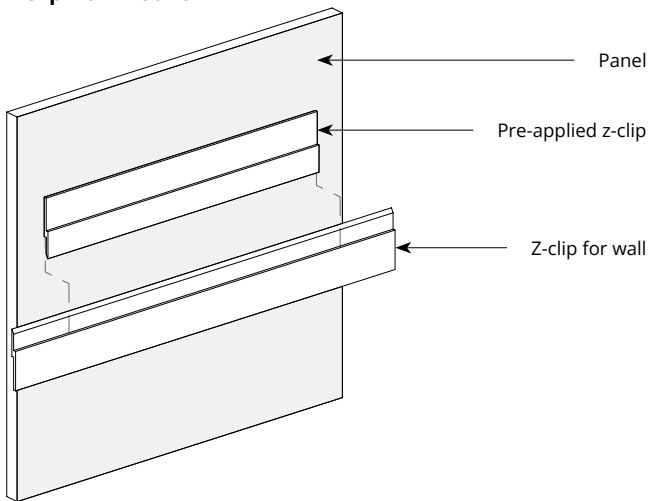
## Adhesive backing



## Construction adhesive



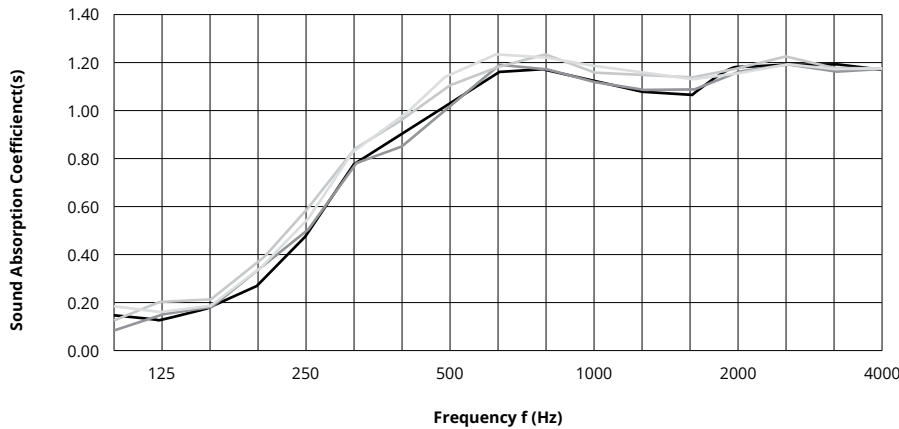
## Z-clip wall mount



*\* For wall mount applications only.*

# Acoustic Performance

<b>Test Method</b>	ASTM E795
<b>Install Method</b>	Type E-400
<b>Rating Method</b>	ASTM C423
<b>Mounting Method</b>	2" T x 3" D slat on 12mm backer
<b>Test Results</b>	NRC 0.95 NRC 0.95, 5mm air gap NRC 1.00, 12mm air gap NRC 1.00, 3/4" air gap SAA 0.95, no air gap SAA 0.97, 5mm air gap SAA 1.00, 12mm air gap SAA 1.01, 3/4" air gap




	Frequency f (Hz)	125	250	500	1000	2000	4000	NRC
	12mm	0.17	0.49	1.03	1.12	1.17	1.16	0.95
	12mm, 5mm air gap	0.19	0.53	1.03	1.13	1.17	1.18	0.95
	12mm, 12mm air gap	0.15	0.22	1.10	1.15	1.16	1.16	1.00
	12mm, 3/4" air gap	0.27	0.59	1.13	1.17	1.14	1.16	1.00

## What is a Noise Reduction Coefficient (NRC)?

You'll find the NRC rating in the specifications of all of our products. This acronym stands for Noise Reduction Coefficient, and is expressed as a single number, a rating that describes the degree to which acoustic products can absorb sound.

You can use NRC values to understand the overall performance of our acoustic wall and ceiling products. The higher the NRC, the better the product is at soaking up the sound.

*Performance Indices: Noise Reduction Coefficient (NRC) results represent the absorption coefficients measured at the one third octave bands at 125, 250, 500, 1000, 2000 and 4000 Hz rounded to the nearest 0.05. Acoustic testing has been performed according to the methods mentioned above. Customization of installation of the product could alter the results. Sound Absorption Average (SAA) indicates the absorption coefficient average for the twelve one-third octave bands ranging between 200 and 2500 Hz.*

 For questions or additional product information, visit [acoufelt.com](https://www.acoufelt.com) or call **800.966.8557**.

SoftenUp, Peak Wall Panels | January 2026