

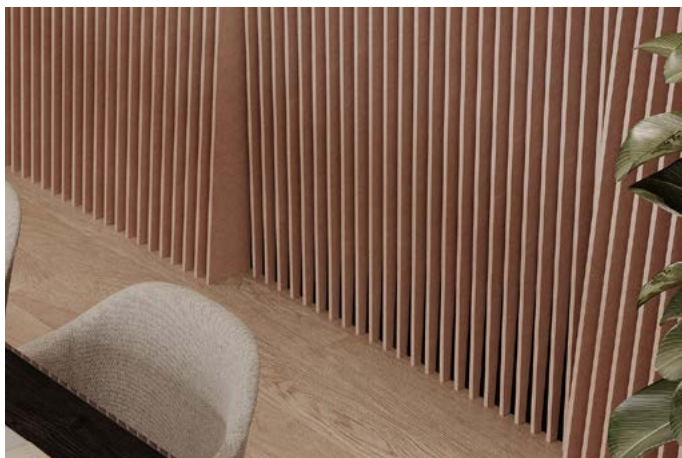
Formation Wall Panels

Premier Collection

More than a wallcovering, Formation adds texture, movement, and high-performance quiet. The precision-cut, high-relief profile design captures attention and sound while the intentional slat spacing changes the viewer's perception of the design from every angle. Formation wall panels are offered in a range of color options, five unique designs, and easily attach over any existing wall finish.

Specifications

Surface	Ceiling
Material	FilaSorb™ polyester felt
Weight	0.49 lb./ft ² (±10%)
Standard Sizes	Width: 48" W Height: 96, 108" H Depth: 6" D



Formation Wall Panel in Fin Design in Valentine



Formation Wall Panel in Perch Design in Wheat

Technical

NRC Rating	0.45, no air gap* 0.54, 12mm air gap* 0.64, 20mm air gap*
Fire Test	ASTM E84, Class A CAN/ULC-S102 Flame spread index: 15 Smoke developed index: 200
Water Sorption	ASTM C1104-2019 (A Modified) Water sorbed by weight: 0.20% (based on a 12mm thick panel)
Colorfastness	ISO 105-B02, 6-7

* Test results available upon request

Details

Lead Time	3 – 6 weeks
Origin	Manufactured and assembled in the US
Warranty	Product: 20 years* Colorfastness: 20 years*

* Conditions apply

Environmental

Recycled Content	Minimum 60%
Energy	Generated using 40% solar energy
Indoor Air Quality	VOC less than/equal to 0.5mg/m ³
Recyclable	100%*
Certifications	Declare Certification - LBC Red List Free (third-party verified) SCS Global Indoor Advantage Gold

* PET is recyclable through participating partners



For questions or additional product information, visit [acoufelt.com](https://www.acoufelt.com) or call **800.966.8557**.

Formation Wall Panels | January 2026

Colorways

PREMIER



White
WH12



Milkyway
MI74



Ivory
IV11



Pearl
PE21



Valentine
VA70



Quartz
QU67



Stonewash
ST72



Sea Salt
SE57



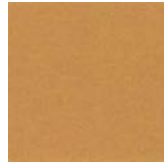
Platinum
PL04



Almond
AL55



Pistachio
PI25



Turmeric
TU60



Flamingo
FL61



Amethyst
AM69



Periwinkle
PE23



Peacock
PE20



Metal
ME03



Mushroom
MU75



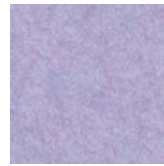
Celery
CE65



Wheat
WH68



Peach
PE19



Lilac
LI13



Marine
MA15



Sencha
SE58



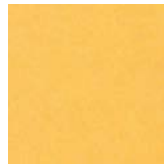
Grey
GR02



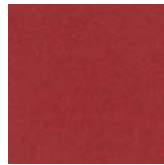
Umber
UM54



Wasabi
WA29



Popcorn
PO26



Currant
CU59



Berry
BE06



Azure
AZ05



Oregano
OR18



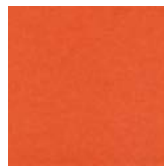
Charcoal
CH01



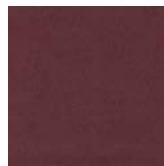
Walnut
WA56



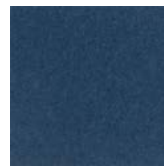
Eucalyptus
EU71



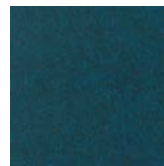
Carrot
CA08



Loganberry
LO77



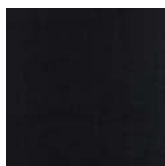
Granite
GR62



Denim
DE09



Kale
KA12



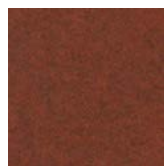
Piano Black
PI24



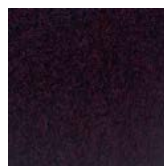
Slate
SL27



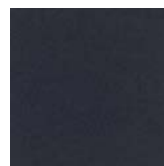
Nori
NO76



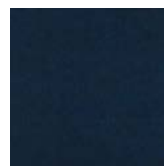
Peppercorn
PE22



Shiraz
SH63




Flint
FL64



Midnight
MI16

Order samples at acoufelt.com/colorways

 For questions or additional product information, visit acoufelt.com or call 800.966.8557.

Formation Wall Panels | January 2026

Sizes

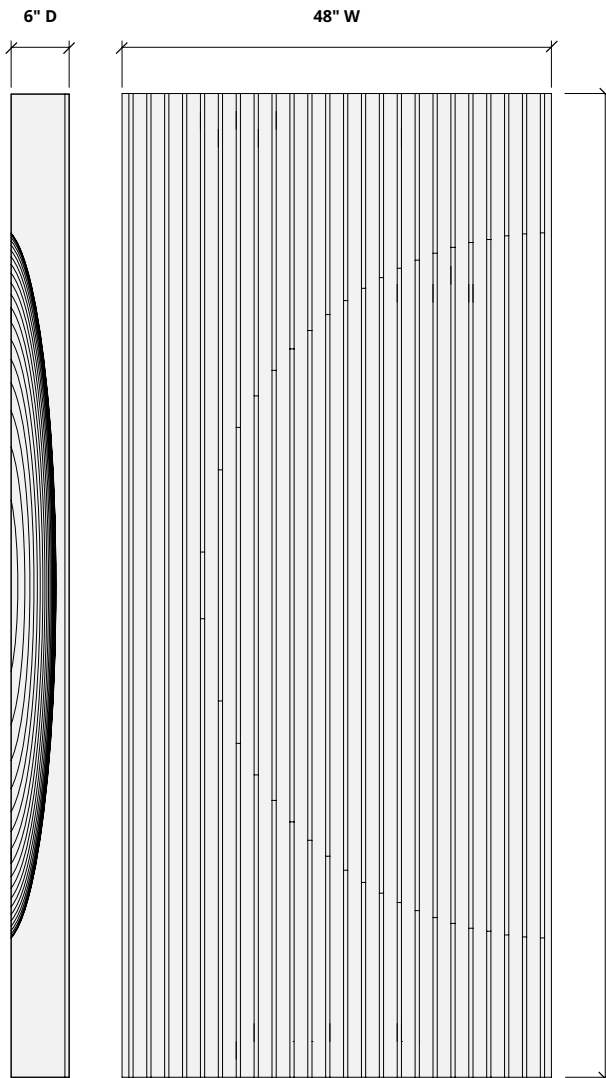
Standard Sizes

Width: 48" W

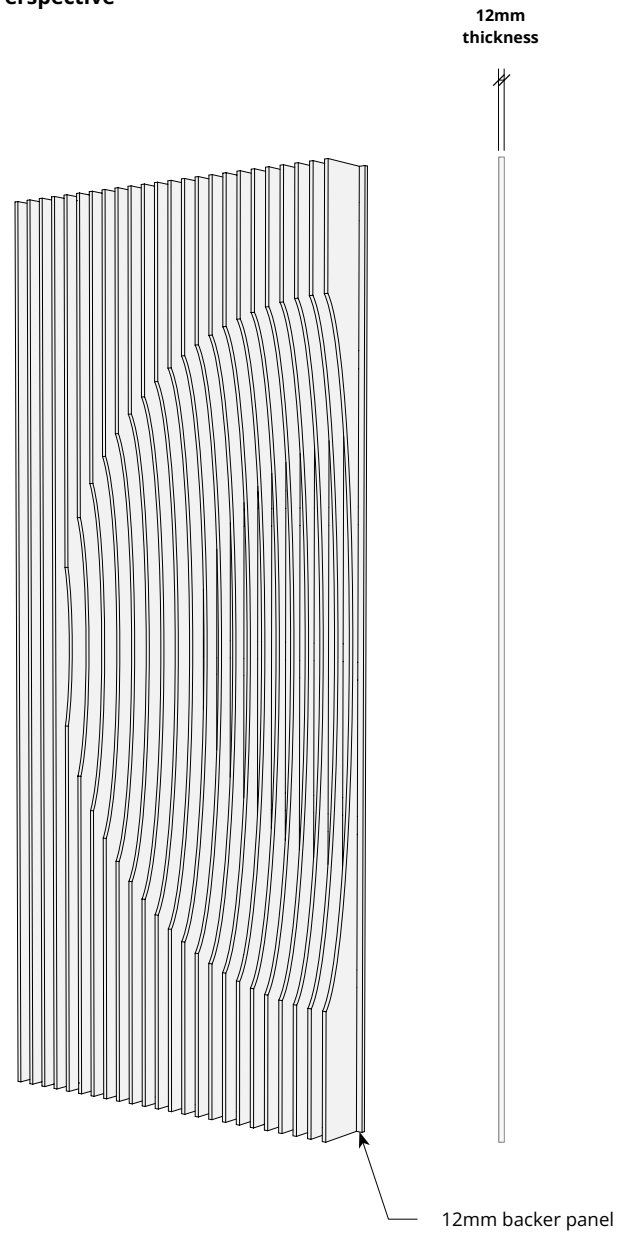
Height: 96, 108" H

Depth: 6" D

Elevation



Perspective



For questions or additional product information, visit [acoufelt.com](https://www.acoufelt.com) or call 800.966.8557.

Formation Wall Panels | January 2026

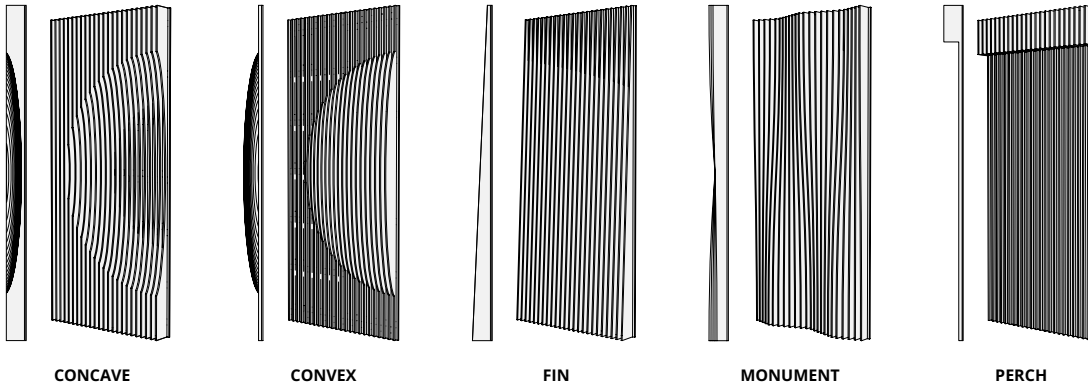
How to Specify

1. Choose Panel Design

2. Choose Panel Height

3. Choose Colorways

Select desired panel pattern.



1. Choose Panel Design

2. Choose Panel Height

3. Choose Colorways

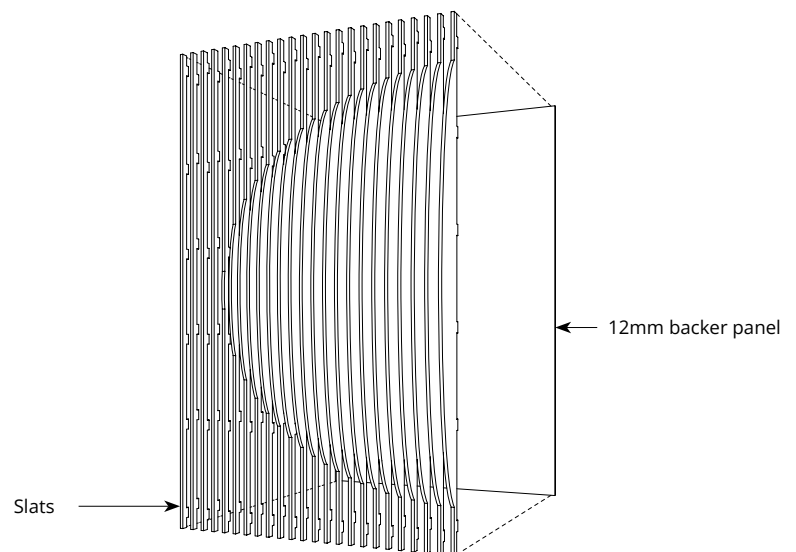
Overall heights comes in 96" and 108" H.

1. Choose Panel Design

2. Choose Panel Height

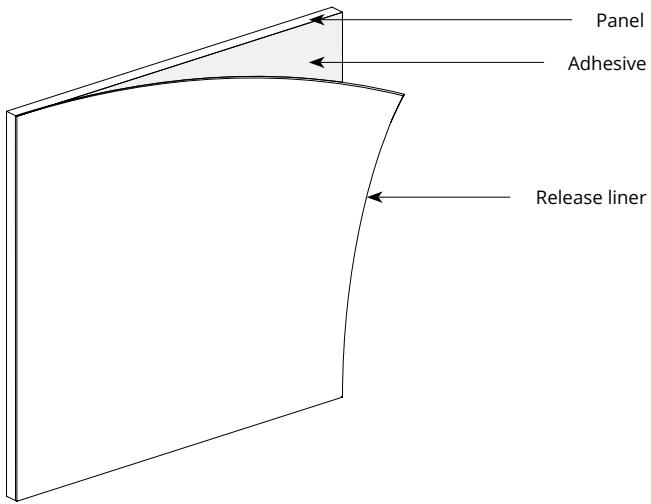
3. Choose Colorways

See colorway choices on page 3.

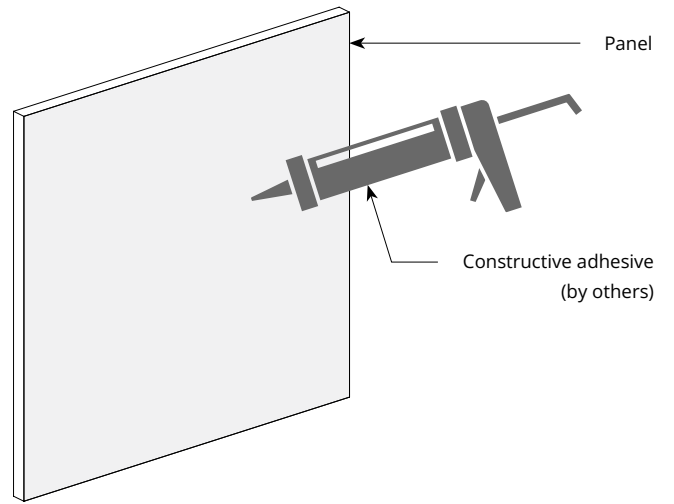


Mounting Methods

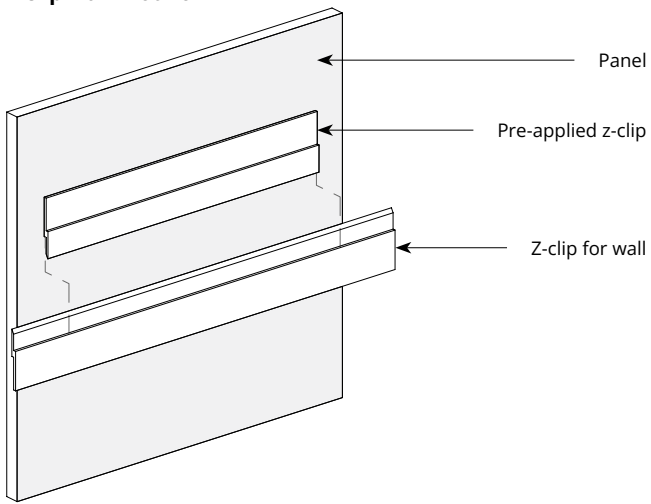
Adhesive backing



Construction adhesive



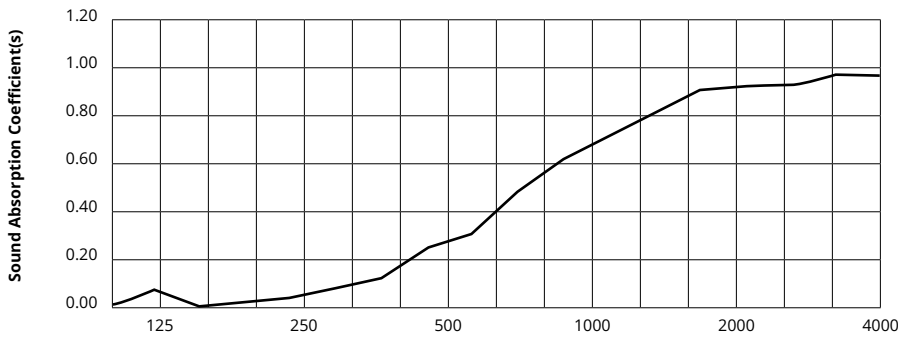
Z-clip wall mount



**For wall mount applications only.*

Acoustic Performance

Test Method	ASTM C432-09a
Install Method	A
Rating Method	ISO 11654-1997
Test Results	0.45, no air gap 0.54, 12mm air gap 0.64, 20mm air gap SAA 0.43, no air gap SAA 0.54, 12mm air gap SAA 0.63, 20mm air gap




Frequency f (Hz)	125	250	500	1000	2000	4000	NRC
12mm	0.06	0.02	0.23	0.61	0.89	0.95	0.45

What is a Noise Reduction Coefficient (NRC)?

You'll find the NRC rating in the specifications of all of our products. This acronym stands for Noise Reduction Coefficient, and is expressed as a single number, a rating that describes the degree to which acoustic products can absorb sound.

You can use NRC values to understand the overall performance of our acoustic wall and ceiling products. The higher the NRC, the better the product is at soaking up the sound.

Performance Indices: Noise Reduction Coefficient (NRC) results represent the absorption coefficients measured at the one third octave bands at 125, 250, 500, 1000, 2000 and 4000 Hz rounded to the nearest 0.05. Acoustic testing has been performed according to the methods mentioned above. Customization of installation of the product could alter the results. Sound Absorption Average (SAA) indicates the absorption coefficient average for the twelve one-third octave bands ranging between 200 and 2500 Hz.

 For questions or additional product information, visit [acoufelt.com](https://www.acoufelt.com) or call **800.966.8557**.

Formation Wall Panels | January 2026