



Printed Wall Panels

Premier Collection

QuietPrint™ technology applies high-resolution patterns and textures to our smooth, sound-absorbing wall panels without compromising its acoustic properties. In addition to our library of patterns, QuietPrint is available as a custom option to soundscape your spaces using your own graphics and images.

Specifications

Surface	Wall
Material	FilaSorb™ polyester felt
Weight	12mm, 0.49 lb./ft ² (±10%) 24mm, 0.98 lb./ft ² (±10%)
Standard Sizes	48" W x 108" H <i>Custom sizes available</i>



Printed Wall Panel in Fractured Chevron

Technical

NRC Rating	12mm* 0.45, no air gap 24mm* 0.60, no air gap
Fire Test	ASTM E84, Class A CAN/ULC-S102 Flame spread index: 15 Smoke developed index: 200
Water Sorption	ASTM C1104-2019 (A Modified) Water sorbed by weight: 0.20% (based on a 12mm thick panel)
Colorfastness	ISO 105-B02, 6-7

* Test results available upon request

Details

Lead Time	3 – 6 weeks
Origin	Manufactured and assembled in the US
Warranty	Product: 20 years* Colorfastness: 20 years*

* Conditions apply

Environmental

Recycled Content	Minimum 60%
Energy	Generated using 40% solar energy
Indoor Air Quality	VOC less than/equal to 0.5mg/m3
Recyclable	100%*
Certifications	Environmental Product Declaration Declare Certification - LBC Red List Free (third-party verified) SCS Global Indoor Advantage Gold

* PET is recyclable through participating partners



For questions or additional product information, visit [acoufelt.com](https://www.acoufelt.com) or call **800.966.8557**.

Printed Wall Panels | January 2026

Colorways

PRINTED



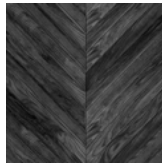
Aesthetic Papercrush Crepe
QP01



Aesthetic Papercrush Tissue
QP02



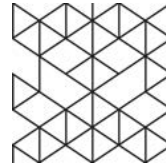
Chevron Fractured Large
QP04



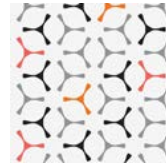
Chevron Timber Black
QP07



Chevron Timber Whitewashed
QP09



Geometric Break Large
QP10



Geometric Pinwheels Large
QP13



Geometric Polygon Slate
QP16



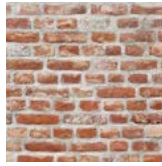
Geometric Super Stripe Large
QP17



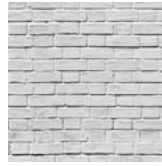
Geometric Triangles Bronze
QP20



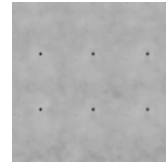
Geometric Triangles Slate
QP21



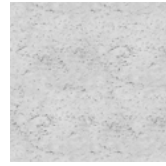
Masonry Brick Rustic Red
QP22



Masonry Brick White
QP23



Masonry Concrete Crater
QP24



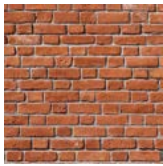
Masonry Concrete Speckled
QP27



Masonry Concrete Splintered
QP28



Masonry Concrete Stained
QP29



Masonry Red Brick
QP30



Plywood
QP31



Spherical Wave Large
QP32

Order samples at acoufelt.com/colorways

Colorways

WOODGRAIN



Picket Fence
WQ01



Loft
WQ06



White Elm
WQ07



Lyed Larch
WQ30



White Oak
WQ13



Baltic Birch
WQ12



Knotty Spruce
WQ29



French Bobbin
WQ08



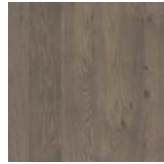
Boat Shed
WQ02



Nordic Plank
WQ15



Boardwalk
WQ10



Mocha Legno
WQ25



Mountain Lodge
WQ24



Wine Barrel
WQ03



Log Cabin
WQ04



Natural Oak
WQ16



Woodland Fog
WQ22



Driftwood
WQ21



Weathered Slate
WQ14



Petrified Ash
WQ23



Antique Chest
WQ11



European Larch
WQ17



Fumed Oak
WQ19



Teak
WQ18



Charred Larch
WQ09



Shadow Oak
WQ28



Barn Door
WQ05



Black Walnut
WQ20



Scorched Timber
WQ26



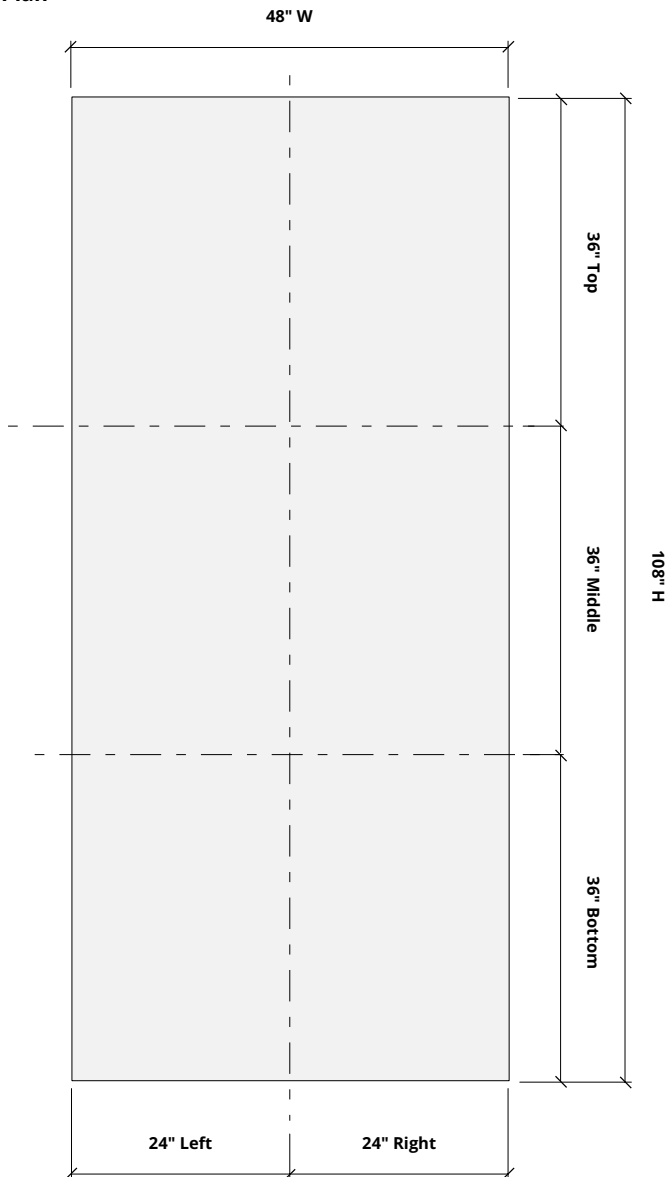
Espresso Oak
WQ27

Order samples at acoufelt.com/colorways

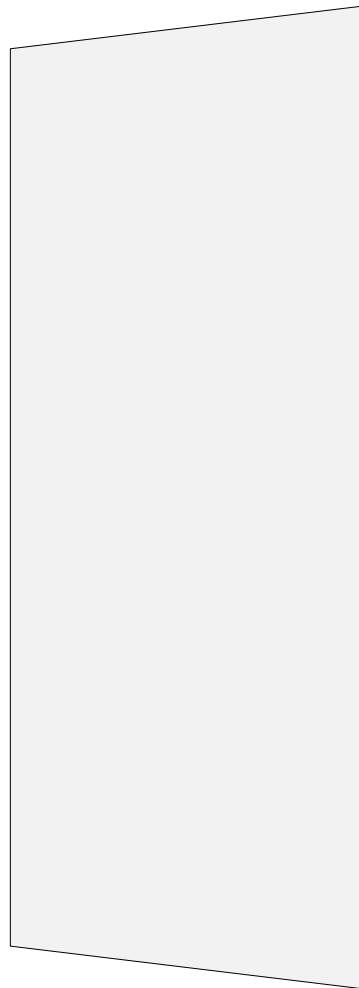
Sizes

Standard Sizes 48" W x 108" H
Custom sizes available

Plan



Perspective



** Product available as full panels or as sections of a panel as filler pieces.
Choose any of the standard height or segments (i.e. bottom right, middle left, etc) to fill the space as needed.*



For questions or additional product information,
visit [acoufelt.com](https://www.acoufelt.com) or call **800.966.8557**.

Printed Wall Panels | January 2026

How to Specify

1. Choose Panel Thickness

2. Choose Colorways

Select desired panel thickness based upon acoustical needs.

1. Choose Panel Thickness

2. Choose Colorways

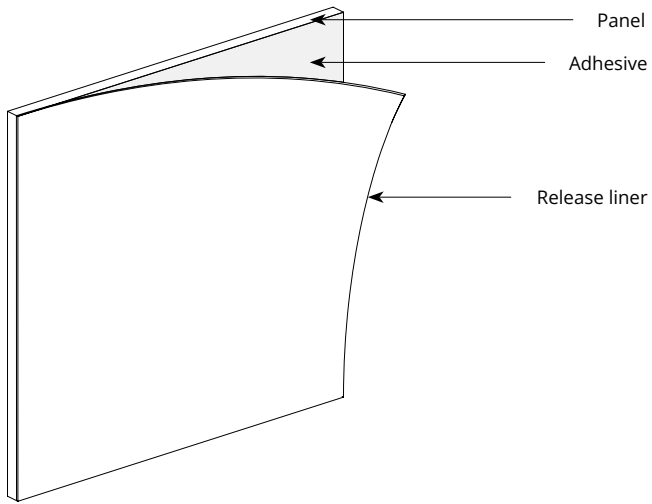
See colorways on pages 3 and 4.



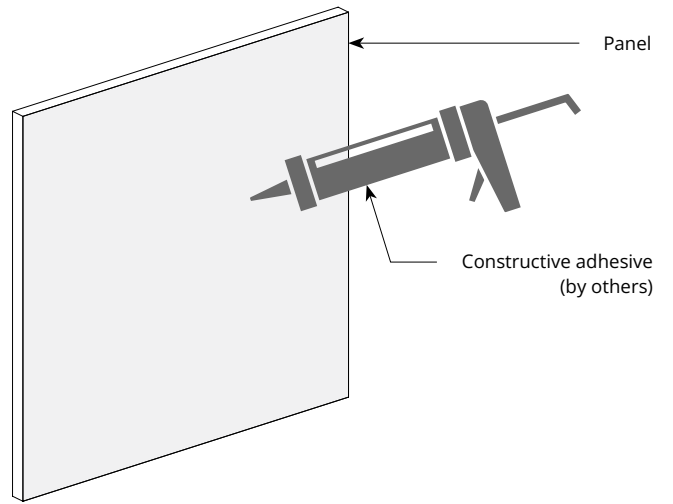
For questions or additional product information,
visit [acoufelt.com](https://www.acoufelt.com) or call **800.966.8557**.

Printed Wall Panels | January 2026

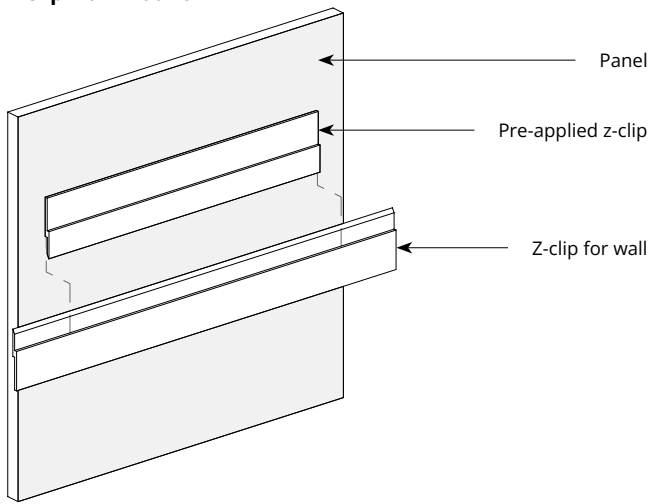
Adhesive backing



Construction adhesive



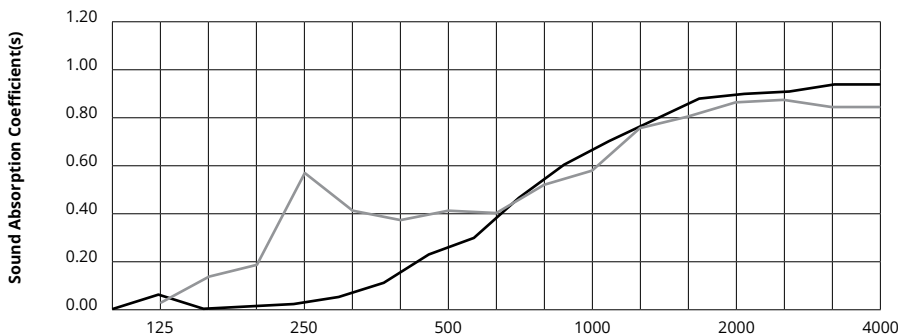
Z-clip wall mount



**For wall mount applications only.*

Acoustic Performance

Test Method	12mm ASTM C423-09a 24mm ASTM C423-17
Install Method	A
Rating Method	ISO 11654-2002
Test Results	12mm NRC 0.45, no air gap 24mm NRC 0.60, no air gap




	Frequency f (Hz)	125	250	500	1000	2000	4000	NRC
	12mm	0.06	0.02	0.23	0.61	0.89	0.95	0.45
	24mm	0.02	0.57	0.41	0.58	0.87	0.85	0.60

What is a Noise Reduction Coefficient (NRC)?

You'll find the NRC rating in the specifications of all of our products. This acronym stands for Noise Reduction Coefficient, and is expressed as a single number, a rating that describes the degree to which acoustic products can absorb sound.

You can use NRC values to understand the overall performance of our acoustic wall and ceiling products. The higher the NRC, the better the product is at soaking up the sound.

Performance Indices: Noise Reduction Coefficient (NRC) results represent the absorption coefficients measured at the one third octave bands at 125, 250, 500, 1000, 2000 and 4000 Hz rounded to the nearest 0.05. Acoustic testing has been performed according to the methods mentioned above. Customization of installation of the product could alter the results. Sound Absorption Average (SAA) indicates the absorption coefficient average for the twelve one-third octave bands ranging between 200 and 2500 Hz.

 For questions or additional product information, visit [acoufelt.com](https://www.acoufelt.com) or call **800.966.8557**.

Printed Wall Panels | January 2026